



Fire Test Data

January 2025

www.frameclad.com

Achieving Required Fire Performance

With a 14-strong in-house team of designers and engineers, Frameclad take our responsibilities as a light steel manufacturer extremely seriously.

Achieving robust Building Safety Regulations is our top priority.

Backed by ISO and BOPAS Accreditation to design at full scope, NHBC SCI, Infill and CE Certification, we have also invested in a growing suite of fire test and performance data to offer assurances to main contractors, developers, architects, engineers and public sector clients.

Frameclad have considered all plasterboard junctions in line with plasterboard manufacturers guidelines for their products. Taking manufacturers guidelines into consideration to achieve the required performances:

-]
All partitions and lining systems should be constructed to BS 8212: 1995 Code of Practice for Drylining and Partitioning using Gypsum Plasterboard.
-]
All workmanship should be compliant with BS 8000-8 on Building Sites Part 8: 1994 Code of Practice for Plasterboard Partitions and Dry Linings.
-]
It is also expected that any surrounding construction will have at least the same level of fire resistance and can provide adequate protection to the construction for the required period of fire resistance.
-]
For areas of dissimilar performance, then the primary layer must continue or the secondary layer in that area be upgraded to match the primary.
-]
Providing the junctions are of comparable, fire performance then standard drylining abutments and connections should be used.
-]
We would also recommend that the boarding is installed following the guidelines and best practices detailed within the FIS Installation of Drylining and in conjunction with the plasterboard manufacturers details.

Contents

External Walls

| | | Page |
|------|------------------------|------------------|
| T1 | 120 minute int to ext | 100 mm 7 |
| T2 | 120 minute ext to int | 100 mm 8 |
| T3 | 120 minute int to ext | 100 mm 9 |
| T4 | 120 minute ext to int | 100 mm 10 |
| T5 | 60 minute int to ext | 100 mm 11 |
| T18 | 60 minute int to ext | 100 mm 12 |
| T19 | 60 minute ext to int | 100 mm 13 |
| T20 | 60 minute int to ext | 100 mm 14 |
| T21 | 60 minute int to ext | 100 mm 15 |
| T23 | 60 minute int to ext | 90 mm 16 |
| T24 | 60 minute ext to int | 90 mm 17 |
| T25 | 60 minute int to ext | 75 mm 18 |
| T27 | 60 minute int to ext | 100 mm 19 |
| T28 | 60 minute int to ext | 100 mm 20 |
| T29 | 60 minute int to ext | 90 mm 21 |
| T30 | 45 minute ext to int | 90 mm 22 |
| T31 | 90 minute int to ext | 100 mm 23 |
| T33 | 60 minute ext to int | 100 mm 24 |
| T34 | 60 minute int to ext | 100 mm 25 |
| TP4 | 60 minute int (or) ext | 100 mm 26 |
| TP5 | 90 minute int to ext | 100 mm 27 |
| TP6 | 90 minute int to ext | 100 mm 28 |
| TP7 | 60 minute int to ext | 100 mm 29 |
| TP8 | 60 minute int to ext | 100 mm 30 |
| TP9 | 60 minute int to ext | 100 mm 31 |
| TP10 | 120 minute int to ext | 100 mm 32 |
| TP11 | 60 minute int to ext | 100 mm 33 |
| TP12 | 120 minute int to ext | 100 mm 34 |
| TP13 | 60 minute int to ext | 100 mm 35 |

Internal Walls

| | | Page |
|-----|---------------------|-----------|
| T7 | 120 minute 100mm | 36 |
| T10 | 120 minute 2 x 75mm | 37 |
| T8 | 90 minute 100mm | 38 |
| T32 | 90 minute 2 x 75mm | 39 |
| T22 | 90 minute 2 x 75mm | 40 |
| T9 | 60 minute 100mm | 41 |
| T11 | 60 minute 2 x 75mm | 42 |

Partnered Wall

| | | |
|-----|-----------------|-----------|
| TP1 | 60 minute 100mm | 43 |
| TP2 | 60 minute 100mm | 44 |
| TP3 | 90 minute 100mm | 45 |

Floors

| | | |
|-----|-----------------|-----------|
| T12 | 90 minute 150mm | 46 |
| T13 | 60 minute 150mm | 47 |
| T14 | 30 minute 150mm | 48 |
| T26 | 90 minute 250mm | 49 |



External Walls

| | | Profile (mm) | Type | Test Ref | Result (min) | External Boards | Internal Boards | Insulation in Stud | Ext Insulation | Notes |
|------------|--------------------|--------------|----------------|---------------------|--------------|-------------------------------|-------------------------|----------------------|-----------------------|-------------------------------|
| T1 | 120 min int to ext | 100 | 1365 Loaded | WF429709 | 132 | 12mm Y Wall | 2x15mm Fireline | none | 75mm Rockwool Duoslab | |
| T2 | 120 min ext to int | 100 | 1365 Loaded | WF429710 | 132 | 12mm Y Wall | 2x15mm Fireline | none | 75mm Rockwool Duoslab | |
| T3 | 120 min int to ext | 100 | 1365 Loaded | BTC21427F | 130 | 12mm Kemwell | 2x15mm Fireline | none | None | |
| T4 | 120 min ext to int | 100 | 1365 Loaded | BTC21499F | 180 | 12mm Kemwell | 2x15mm Fireline | none | None | |
| T5 | 60 min int to ext | 100 | 476pt21 Loaded | BTC20979F | 67 | 12.5mm Siniat Weather Defence | 2x12.5mm Fireline | 50mm APR | None | See assessments below |
| T18 | 60 min int to ext | 100 | 1365 Loaded | BTC22421F | 66 | 12.5mm Glassroc X | 1 x 15mm Fireline | 100mm RWA45 | None | |
| T19 | 60 min ext to int | 100 | 1366 Loaded | BTC22410F | 66 | 12.5mm Glassroc X | 2x12.5mm Fireline | 100mm RWA45 | None | |
| T20 | 60 min int to ext | 100 | 1365 Loaded | WF531008/R | 68 | 12mm Knauf Windliner | 1x15mm Knauf Fireshield | 100mm Rockwool Flexi | None | |
| T21 | 60 min int to ext | 100 | 1365 Loaded | WF531936/R | 68 | 12.5mm Siniat Weather Defence | 15mm Siniat Fireboard | 100mm Rockwool Flexi | None | |
| T23 | 60 min int to ext | 90 | 1365 Loaded | 20240304-000910B | 68 | 1x12.5mm Klasse G-Board | 1 x 15mm Fireline | 50mm Rockwool | None | |
| T24 | 60 min ext to int | 90 | 1365 Loaded | 24-000094 | 60 | 1x12.5mm Klasse G-Board | 1 x 15mm Fireline | 50mm Rockwool | None | |
| T25 | 60 min int to ext | 75 | 1365 Loaded | TR20230929 - 000108 | 68 | 12.5mm Glassroc X | 15mm Siniat Fireboard | 50mm Rockwool Flexi | None | |
| T27 | 60 min int to ext | 100 | 1365 Loaded | 20240415-005215 | 69 | 12.5mm Glassroc X | 2x12.5mm Wallboard | 100mm Rockwool RWA45 | None | Classification Report 003808A |
| T28 | 60 min int to ext | 100 | 1364 Non LB | 20240304-000911 | 66 | 12.5mm Siniat Weather Defence | 15mm Siniat Fireboard | 50mm Rockwool RWA45 | None | |
| T29 | 60 min int to ext | 90 | 1364 Non LB | CFR2402061 | 70 | 12mm Y Wall | 1x15mm Knauf Fireshield | 50mm Rockwool Flexi | None | |

External Walls

| | | Profile (mm) | Type | Test Ref | Result (min) | External Boards | Internal Boards | Insulation in Stud | Ext Insulation | Notes |
|-------------|---------------------|--------------|-------------|----------------------|--------------|--------------------------------|----------------------------|---|---|--|
| T30 | 45 min ext to int | 90 | 1364 Non LB | CFR2402051 | 55 | 12mm Y Wall | 1x15mm Knauf Fireshield | 50mm Rockwool Flexi | None | Extended Test Pending |
| T31 | 90 min int to ext | 100 | 1364 Non LB | TR20231123-001212 | 111 | 12.5mm OBEX Cortex | 2x15mm Fireline | 75mm Rockwool RWA45 | 80mm Mineral Wool | With Vertical Brick Ties |
| T33 | 60 min ext to int | 100 | 1365 Loadad | TR20240627-000603A | 68 | 12.5mm Densglass | 2x12.5mm Siniat Wallboard | 100mm Steel Frame Batt | None | |
| T34 | 60 min int to ext | 100 | 1364 Non LB | UKTC 20240801-005614 | 66 | 12.5mm Densglass | 2x12.5mm Siniat Wallboard | 100mm Steel Frame Batt | None | |
| TP4 | 60 min int (or) ext | 100 | 1364 Non LB | TR20231020-003509 | 84 | 1x12.5mm Obex Cortex | 1x12.5mm Obex Cortex | 75mm Rockwool RWA45 | N/A | In Conjunction with OBEX |
| TP5 | 90 min in to ext | 100 | 1364 Non LB | TR20230502-005811 | 110 | 1x12.5mm Obex Cortex | 2x12.5mm Siniat Fireboard | 75mm Rockwool RWA45 | A2 breather mebrane + 75mm Rockwool Duoslab | In Conjunction with OBEX |
| TP6 | 90 min in to ext | 100 | 1364 Non LB | TR20230830-000611 | 108 | 1x12.5mm Obex Cortex | 2x12.5mm Fireline | 75mm Rockwool RWA45 | A2 breather mebrane + 75mm Rockwool Duoslab | In Conjunction with OBEX |
| TP7 | 60 min in to ext | 100 | 1364 Non LB | TR20231020-003609 | 87 | 1x12.5mm Obex Cortex | 2x12.5mm Wallboard | 75mm Rockwool RWA45 | N/A | In Conjunction with OBEX |
| TP8 | 60 min in to ext | 100 | 1364 Non LB | TR20240228-003612 | 74 | 1x12.5mm Obex Cortex | 1 x 15mm Fireline | 75mm Rockwool RWA45 | N/A | In Conjunction with OBEX |
| TP9 | 60 min in to ext | 100 | 1364 Non LB | WF 547280/R | 87 | 1x12.5mm Obex Cortex | 15mm Siniat GTEC Fireboard | 70mm Rockwool Flexi | None | |
| TP10 | 120 min in to ext | 100 | 1364 Non LB | TR20240228-003512 | 121 | 1x12.5mm Obex Cortex | 2x12.5mm Wallboard | 75mm Rockwool RWA45 | None | In Conjunction with OBEX |
| TP11 | 60 min in to ext | 100 | 1364 Non LB | TR20240228-004312 | 64 | 1x12.5mm Obex Cortex | 2x12.5mm Wallboard | 75mm Rockwool RWA45 | None | In Conjunction with OBEX |
| TP12 | 120 min in to ext | 100 | 1364 Non LB | EUI-24-B-000855 | 132 | 12mm Licata Fibre Cement Board | 2x12.5mm Wallboard | 100mm Rockwool Frame Slab - 33Kg/m ³ | 100mm Rockwool Duo Slab | In Conjunction with Licata - Rendered System |
| TP13 | 60 min in to ext | 100 | 1364 Non LB | TR20241010-004208 | 73 | 1x12.5mm Klasse G-Board | 2x15mm Wallboard | 100mm Rockwool RWA45 | None | In Conjunction with Klasse |

Internal Walls

| | | Profile (mm) | Type | Test Ref | Result (min) | External Boards | Internal Boards | Insulation in Stud | Ext Insulation | Notes |
|------------|------------|--------------|----------------|-------------------|--------------|------------------|------------------|--------------------|----------------|---------------------------|
| T7 | 120 minute | 100 | 476pt21 Loaded | BTC 20966F | 136 | 2x15mm Fireline | 2x15mm Fireline | 50mm APR | N/A | Resilient Bar to one side |
| T10 | 120 minute | 2 x 75 | 1365 Loaded | WF506587/R | 150 | 2x15mm Fireline | 2x15mm Fireline | none | N/A | |
| T8 | 90 minute | 100 | 476pt21 Loaded | BTC 20854F | 96 | 2x15mm Soundbloc | 2x15mm Soundbloc | 50mm APR | N/A | Resilient Bar to one side |
| T32 | 90 minute | 2 x 75 | 1365 Loaded | WF506587/R | 150 | 2x15mm Fireline | 2x15mm Fireline | none | N/A | |
| T22 | 90 minute | 2 x 75 | 1365 Loaded | TR20230823-001612 | 100 | 2x15mm Soundbloc | 2x15mm Soundbloc | none | N/A | |
| T9 | 60 minute | 100 | 1365 Loaded | BTC 21534F | 67 | 1x15mm Fireline | 1x15mm Fireline | none | N/A | |
| T11 | 60 minute | 2 x 75 mm | 1365 Loaded | WF506587/R | 150 | 2x15mm Fireline | 2x15mm Fireline | none | N/A | |

Partnered Internal Wall Tests

| | | | | | | | | | | |
|------------|-----------|-----|-------------|------------------|-----|-----------------|-----------------|----------------------|-----|-----------------------------|
| TP1 | 60 minute | 100 | 1365 Loaded | E-R001354 | 80 | 2x15mm Fireline | 2x15mm Fireline | none | N/A | In Conjunction with the SCI |
| TP2 | 60 minute | 100 | 1365 Loaded | E-R001353 | 84 | 2x15mm Fireline | 2x15mm Fireline | 100mm Rockwool Flexi | N/A | In Conjunction with the SCI |
| TP3 | 90 Minute | 100 | 1365 Loaded | E-R001125 (Rev1) | 119 | 2x15mm Fireline | 2x15mm Fireline | none | N/A | In Conjunction with the SCI |

Floors

| | | | | | | | | | | |
|-------------|-----------|-----|----------------|---------------|-----|-----|-------------------------------|----------|-----|----------------------------|
| T12 | 90 Minute | 150 | 476pt21 Loaded | BTC 20796F | 94 | N/A | 2x15mm Fireline | none | N/A | |
| T13 | 60 Minute | 150 | 476pt21 Loaded | WF407394 | 83 | N/A | 2x12.5mm Fireline | none | N/A | |
| T14 | 30 Minute | 150 | 476pt21 Loaded | BTC20750F | 51 | N/A | 15mm Wallboard | none | N/A | Resilient Bar to underside |
| T26* | 90 Minute | 250 | 1365 Loaded | ENL-19-000445 | 102 | N/A | 2x 12.5mm Magply (1 as strip) | 75mm RW5 | N/A | Magply Test |

Assessments

a 20-1001 - Change from Siniat Weather Defence to Glassroc X on test T5

b 23-1001 - Change from Siniat Weather Defence to Densglass Gold on test T5

c Pending - Change from Siniat Weather Defence to Klasse G on test T5

* T26 is a test conducted by Magply, our materials were not used but Magply have extended its use to our products

 British Gypsum

 Knauf

 Siniat

 Other

FIRE TEST – EXTERNAL WALLS

Test T1 - 120 minutes

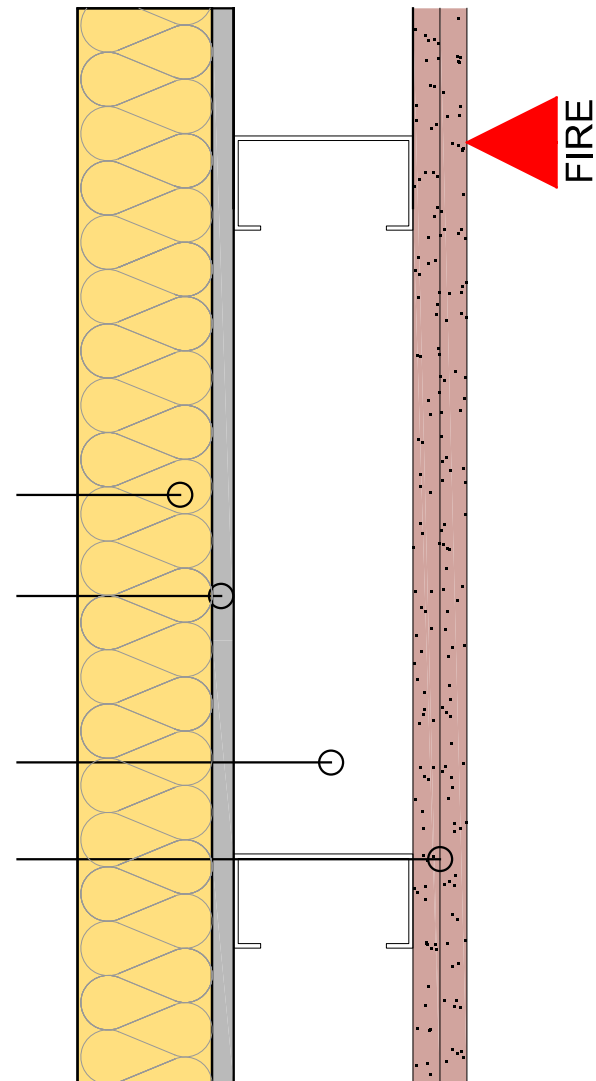
120 MINUTE EXTERNAL WALL EXTERNAL WALL BUILD UP Test Ref WF429709

75mm Rockwool Rainscreen Duo Slab

12mm Y Wall (60 minute fire rating) OR
12.5mm Siniat Weather Defence Board

Frameclad 100mm SFS Wall

Plasterboard 2 x 15mm Fireline



FIRE TEST – EXTERNAL WALLS

Test T2 - 120 minutes

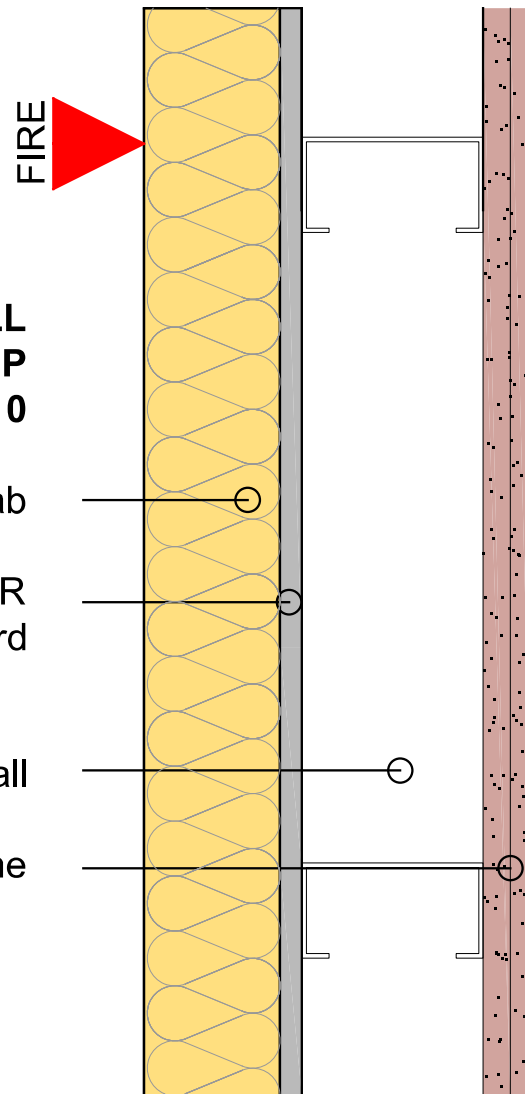
120 MINUTE EXTERNAL WALL EXTERNAL WALL BUILD UP Test Ref WF429710

75mm Rockwool Rainscreen Duo Slab

12mm Y Wall (60 minute fire rating) OR
12.5mm Siniat Weather Defence Board

Frameclad 100mm SFS Wall

Plasterboard 2 x 15mm Fireline

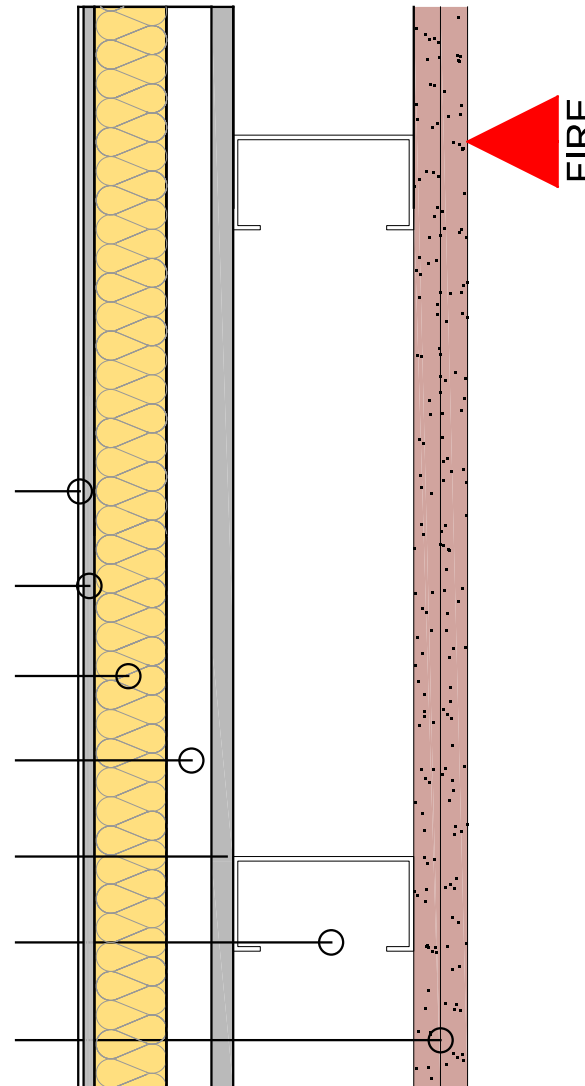


FIRE TEST – EXTERNAL WALLS

Test T3 – 120 minutes

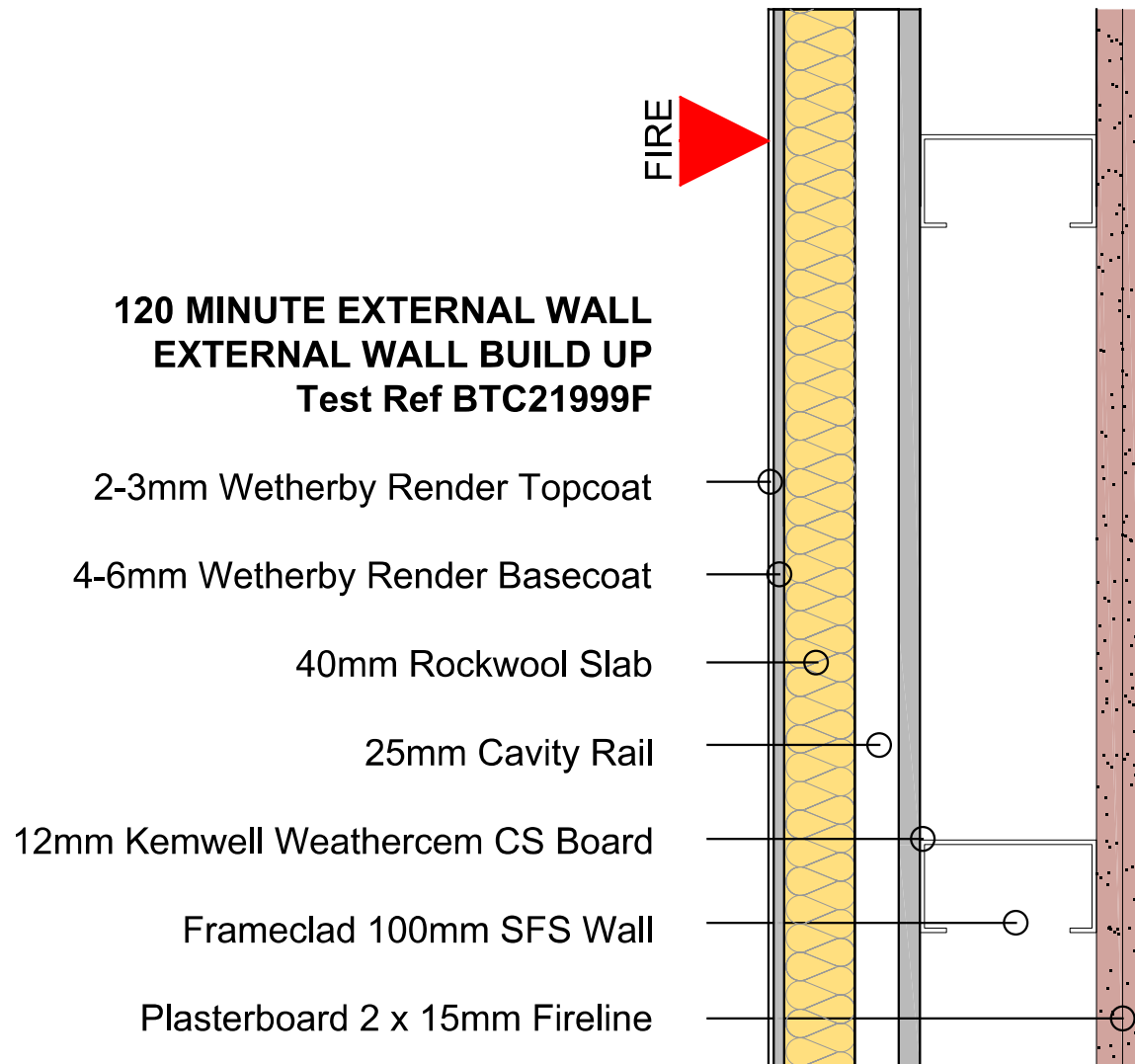
120 MINUTE EXTERNAL WALL EXTERNAL WALL BUILD UP Test Ref BTC21427F

- 2-3mm Wetherby Render Topcoat
- 4-6mm Wetherby Render Basecoat
- 40mm Rockwool Slab
- 25mm Cavity Rail
- 12mm Kemwell Weathercem CS Board
- Frameclad 100mm SFS Wall
- Plasterboard 2 x 15mm Fireline



FIRE TEST – EXTERNAL WALLS

Test T4 - 120 minutes



FIRE TEST – EXTERNAL WALLS

Test T5 – 60 minutes

60 MINUTE EXTERNAL WALL EXTERNAL WALL BUILD UP Test Ref BTC20979F

Finishes Externally by Others

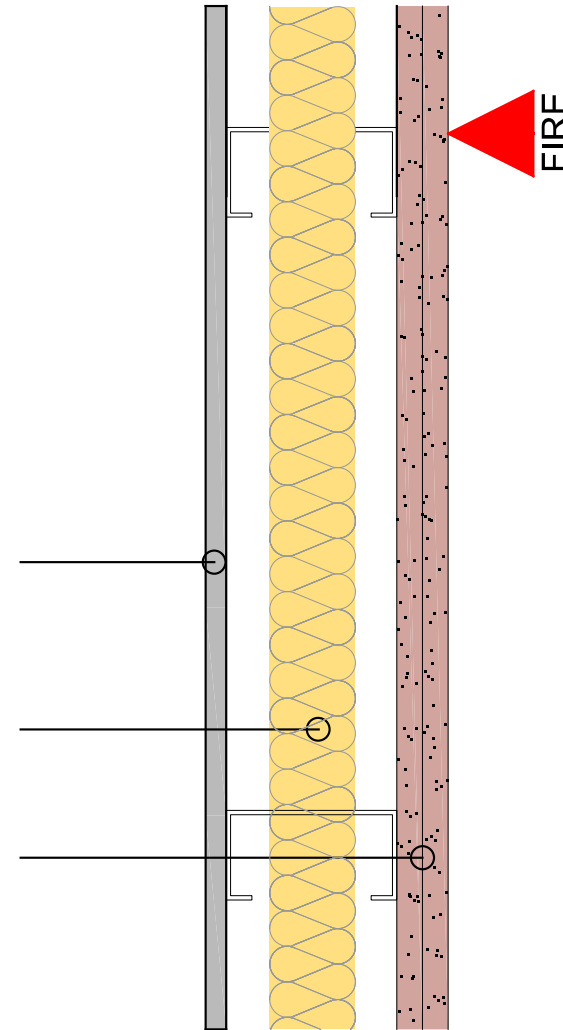
12.5mm Siniat Weather Defence Board

Frameclad 100mm SFS Wall (50mm APR
1200 Insulation)

New Plasterboard 2 x 12.5mm Fireline
Or Single Layer 15mm Fireline

Assessments

- a 20-1001 - Change from Siniat Weather Defence to Glassroc X on test T5
- b 23-1001 - Change from Siniat Weather Defence to Densglass Gold on test T5
- c Pending - Change from Siniat Weather Defence to Klasse G on test T5



FIRE TEST – EXTERNAL WALLS

Test T18 – 60 minutes

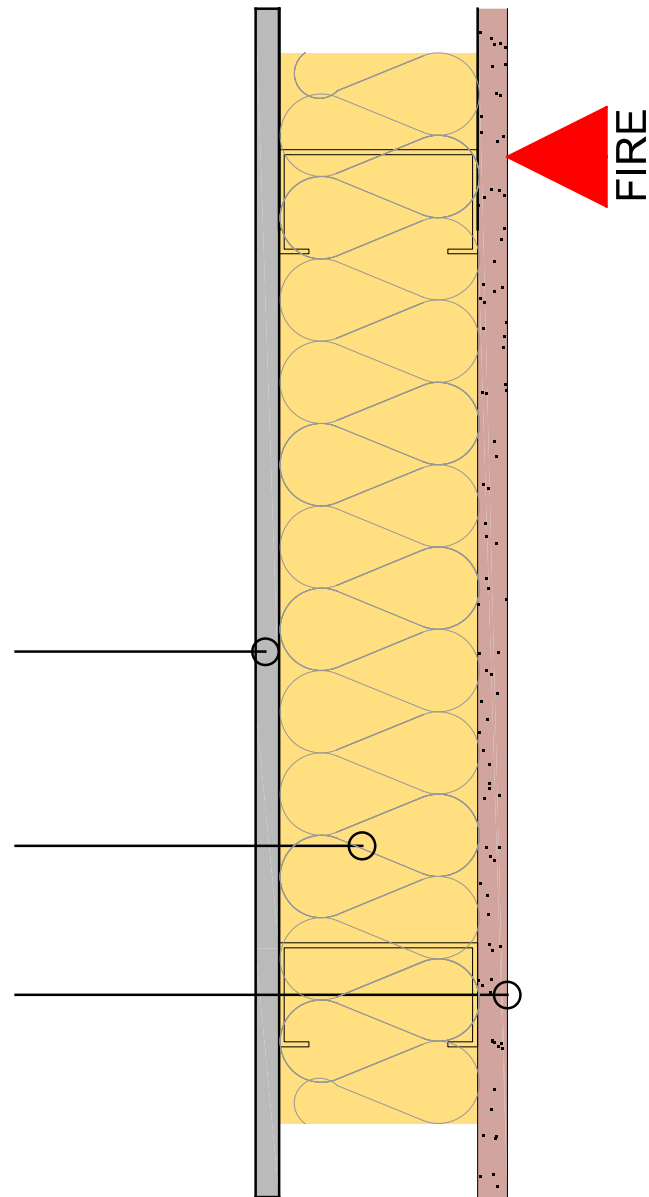
60 MINUTE EXTERNAL WALL EXTERNAL WALL BUILD UP Test Ref BTC22421F

Finishes Externally by Others

12.5mm Glassroc X

Frameclad 100mm SFS Wall (100mm RWA45
Insulation)

Plasterboard 1 x 15mm Fireline



FIRE TEST – EXTERNAL WALLS

Test T19 – 60 minutes

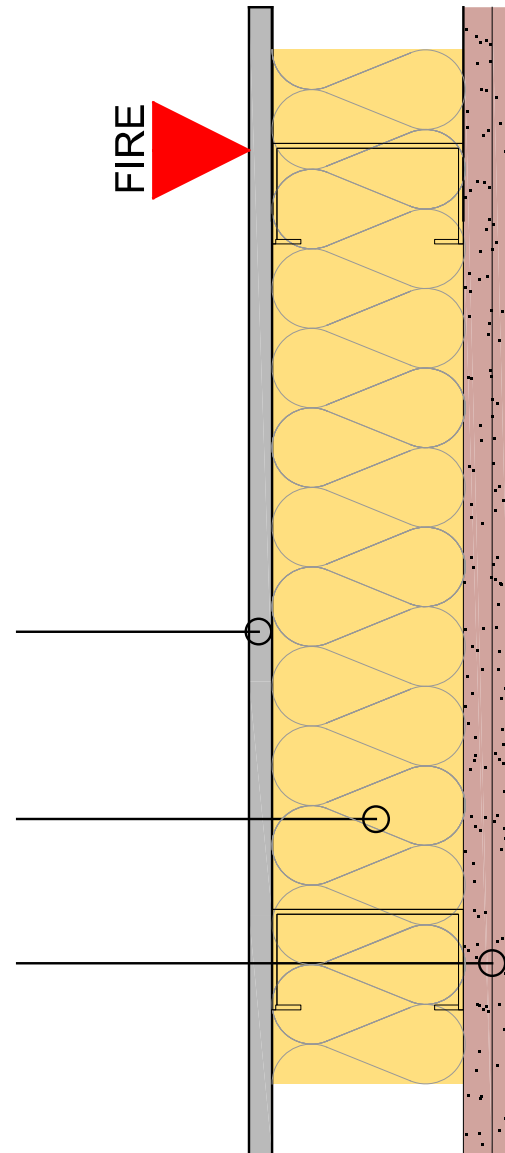
60 MINUTE EXTERNAL WALL EXTERNAL WALL BUILD UP Test Ref BTC22410F

Finishes Externally by Others

12.5mm Glassroc X

Frameclad 100mm SFS Wall (100mm RWA45
Insulation)

Plasterboard 2 x 12.5mm Fireline



FIRE TEST – EXTERNAL WALLS

Test T20 – 60 minutes

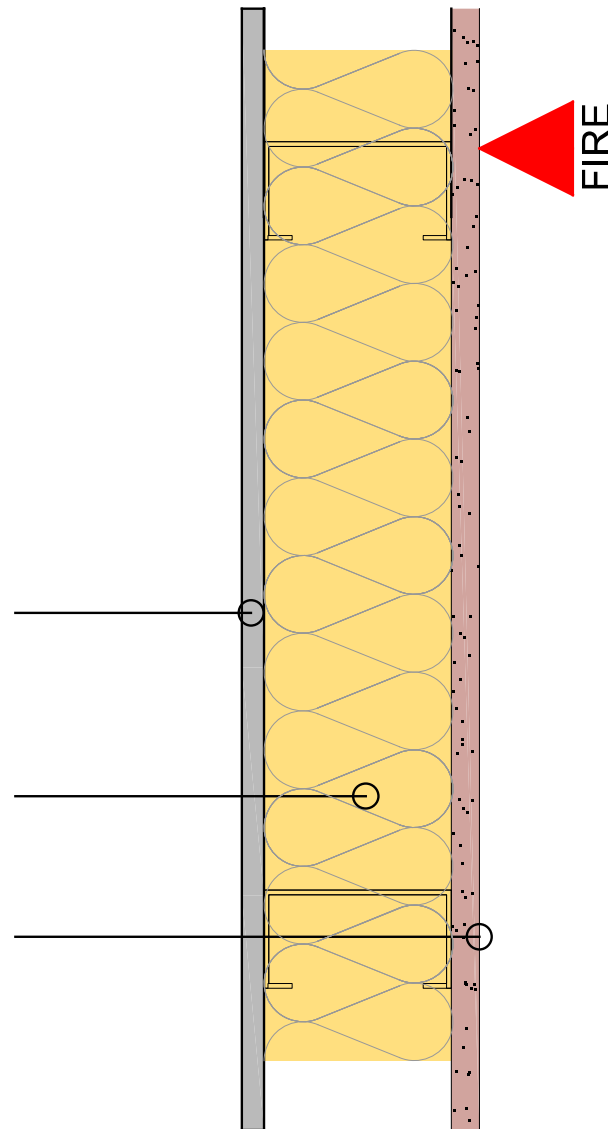
60 MINUTE EXTERNAL WALL EXTERNAL WALL BUILD UP Test Ref WF531008/R

Finishes Externally by Others

12mm Knauf Windliner

Frameclad 100mm SFS Wall (100mm
Rockwool Flexi Insulation)

Plasterboard 1 x 15mm Knauf Fireshield



FIRE TEST – EXTERNAL WALLS

Test T21 – 60 minutes

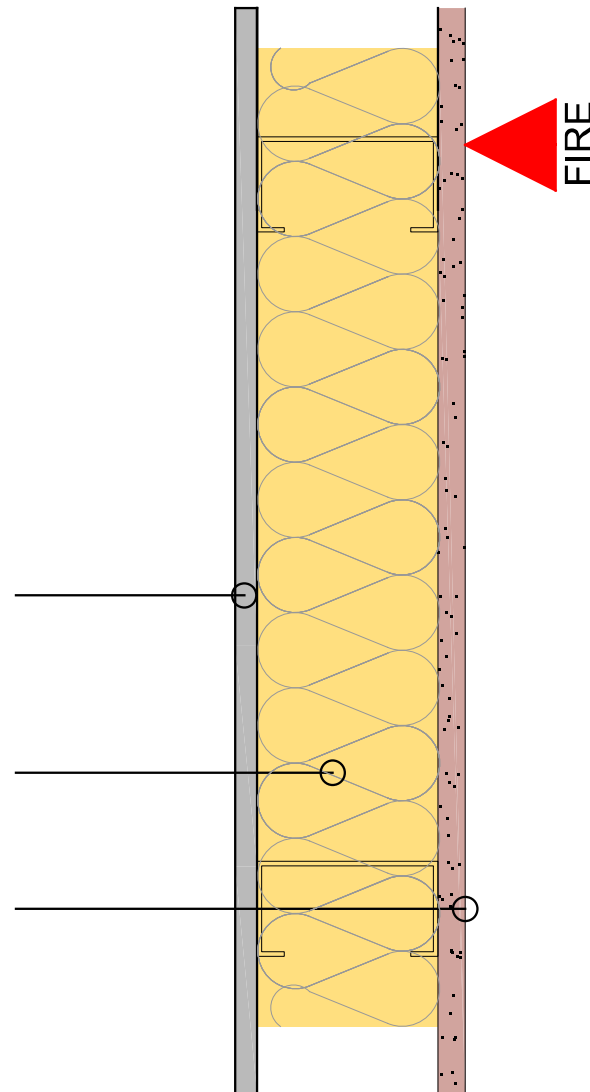
60 MINUTE EXTERNAL WALL EXTERNAL WALL BUILD UP Test Ref WF531936/R

Finishes Externally by Others

12.5mm Siniat Weather Defence

Frameclad 100mm SFS Wall (100mm
Rockwool Flexi Insulation)

Plasterboard 1 x 15mm Siniat Fireboard



FIRE TEST - EXTERNAL WALLS

Test T23 - 60 minutes

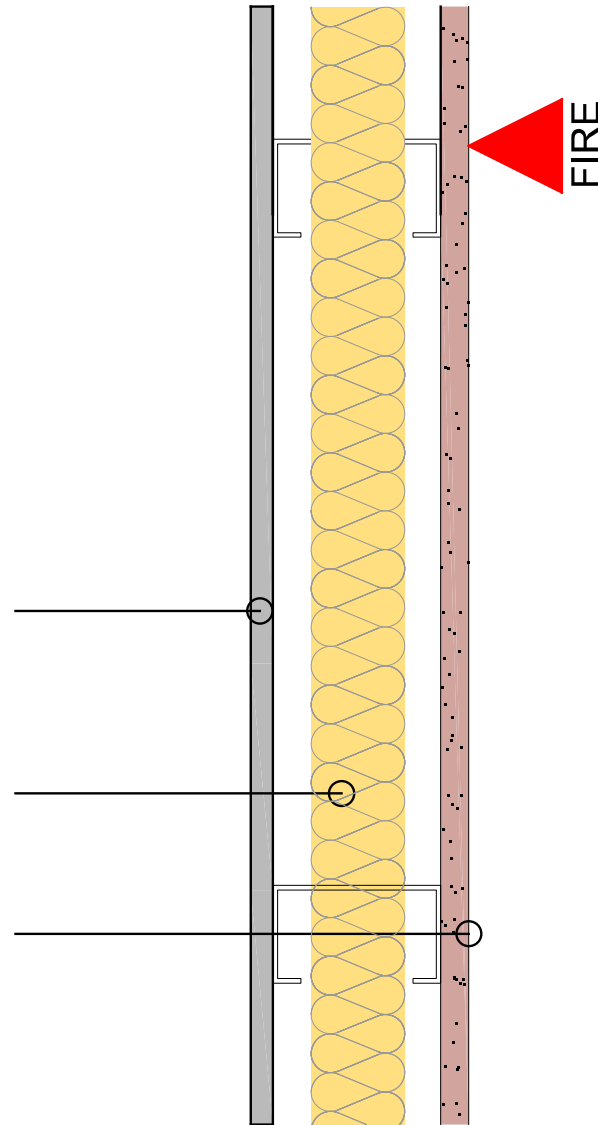
60 MINUTE EXTERNAL WALL EXTERNAL WALL BUILD UP Test Ref 20240304-000910B

Finishes Externally by Others

12.5mm Klasse G Board

Frameclad 90mm SFS Wall (50mm Rockwool
Insulation)

Plasterboard 1 x 15mm Fireline



FIRE TEST – EXTERNAL WALLS

Test T24 – 60 minutes

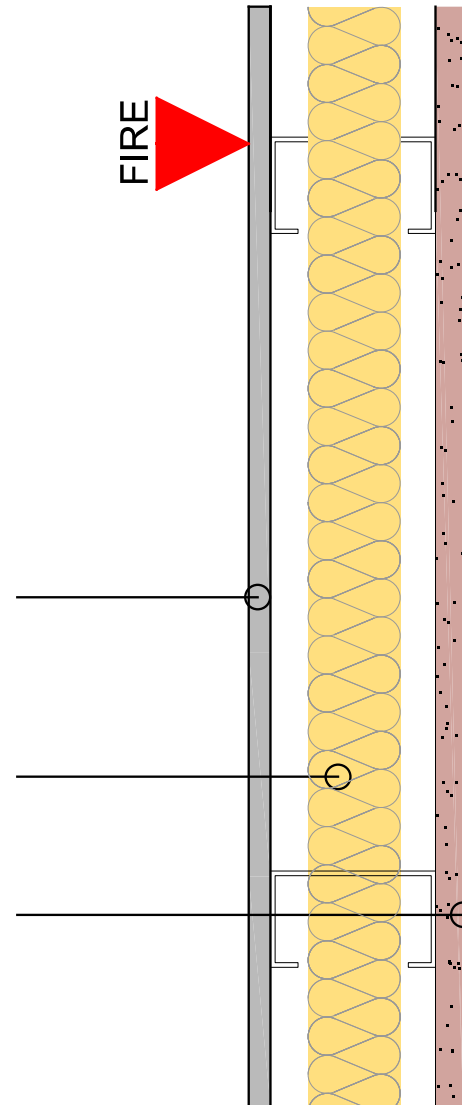
60 MINUTE EXTERNAL WALL EXTERNAL WALL BUILD UP Test Ref 24-000094

Finishes Externally by Others

12.5mm Klasse G Board

Frameclad 90mm SFS Wall (50mm Rockwool
Insulation)

Plasterboard 1 x 15mm Fireline



FIRE TEST – EXTERNAL WALLS

Test T25 – 60 minutes

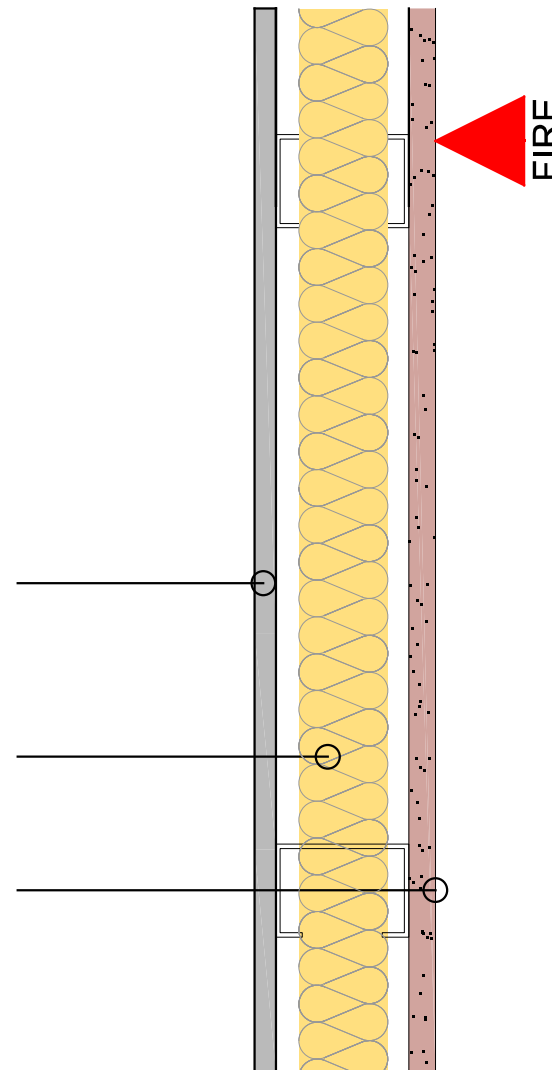
60 EXTERNAL EXTERNAL WALL EXTERNAL WALL BUILD UP Test Ref TR20230929 - -000108

Finishes Externally by Others

12.5mm Glassroc X

Frameclad 75mm SFS Wall (50mm Rockwool
Flexi Insulation)

Plasterboard 1 x 15mm Siniat Fireboard



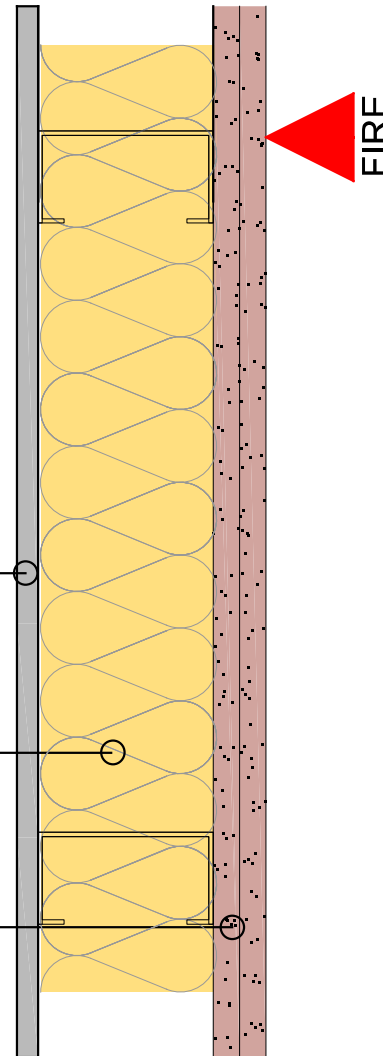
FIRE TEST – EXTERNAL WALLS

Test T27 – 60 minutes

60 MINUTE EXTERNAL WALL EXTERNAL WALL BUILD UP Test Ref 20240415-005215

Finishes Externally by Others

- 12.5mm Glassroc X
- Frameclad 100mm SFS Wall (100mm Rockwool RWA45 Insulation)
- New Plasterboard 2 x 12.5mm Wallboard
- Classification Report 003808A



FIRE TEST – EXTERNAL WALLS

Test T28 – 60 minutes

60 MINUTE EXTERNAL WALL EXTERNAL WALL BUILD

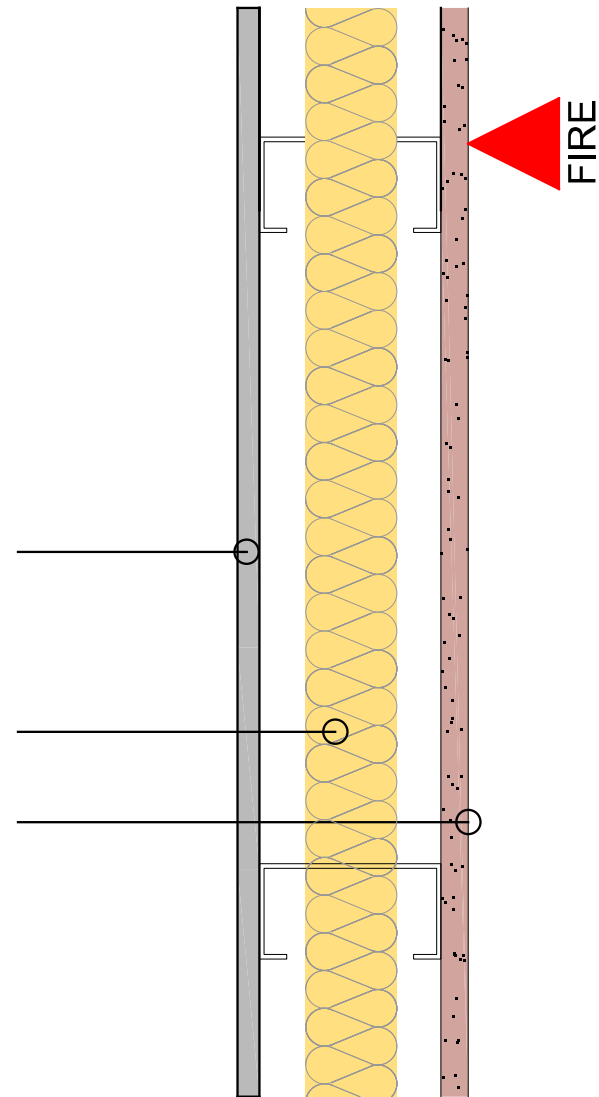
Test Ref 20240304-000911

Finishes Externally by Others

12.5mm Siniat Weather Defence

Frameclad 100mm SFS Wall (50mm
Rockwool RWA45 Insulation)

Plasterboard 1 x 15mm Siniat Fireboard



FIRE TEST – EXTERNAL WALLS

Test T29 – 60 minutes

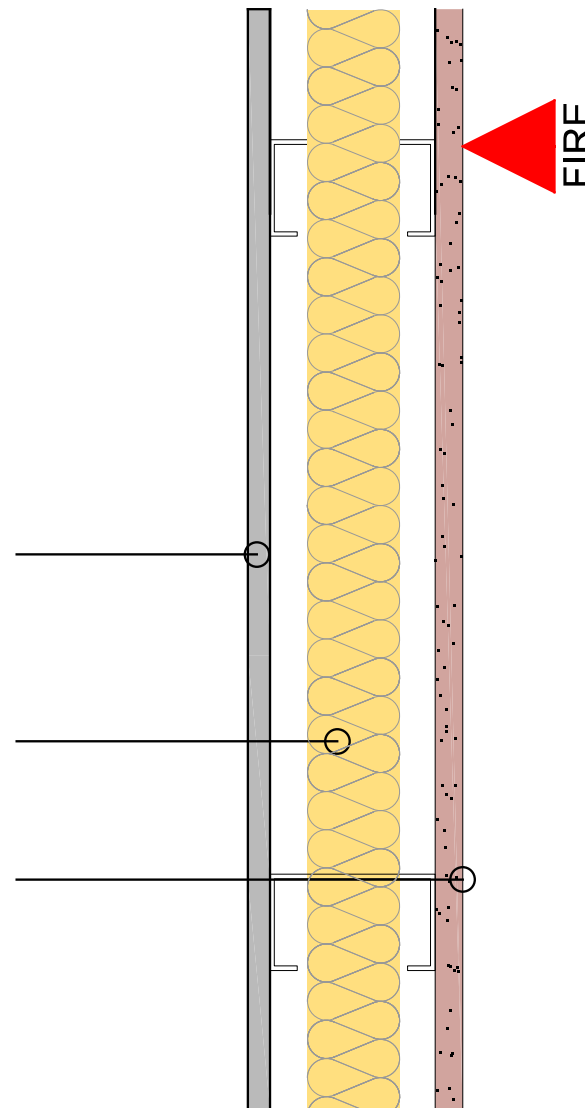
60 MINUTE EXTERNAL WALL EXTERNAL WALL BUILD UP Test Ref CFR2402061

Finishes Externally by Others

12mm Y- Wall

Frameclad 90mm SFS Wall (50mm Rockwool
Flexi Insulation)

Plasterboard 1 x 15mm Knauf Fireshield



FIRE TEST – EXTERNAL WALLS

Test T30 - 45 minutes

45 MINUTE EXTERNAL WALL EXTERNAL WALL BUILD UP Test Ref CFR2402051

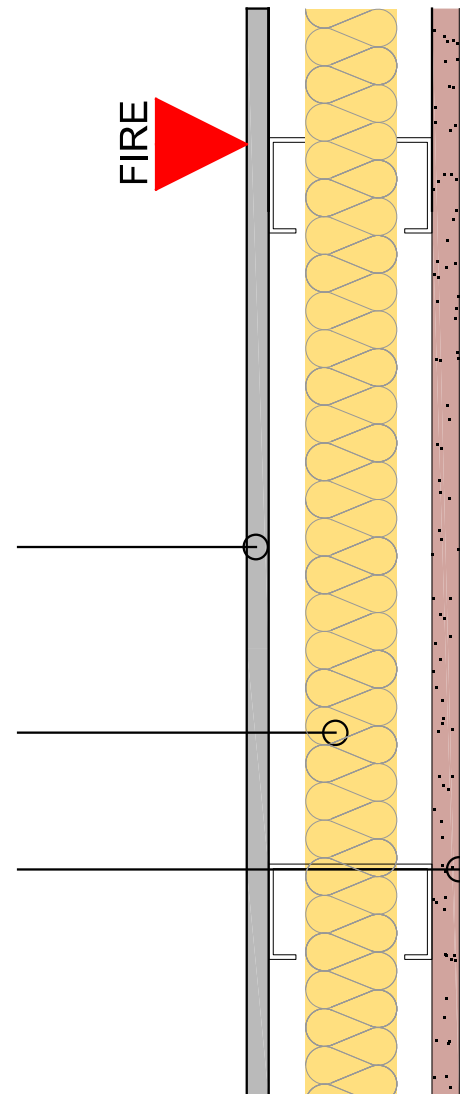
Finishes Externally by Others

12mm Y- Wall

Frameclad 90mm SFS Wall (50mm Rockwool
Flexi Insulation)

Plasterboard 1 x 15mm Knauf Fireshield

Extended Test Pending



FIRE TEST – EXTERNAL WALLS

Test T31 – 90 minutes

90 MINUTE EXTERNAL WALL EXTERNAL WALL BUILD UP Test Ref TR20231123 - 001212

Finishes Externally by Others

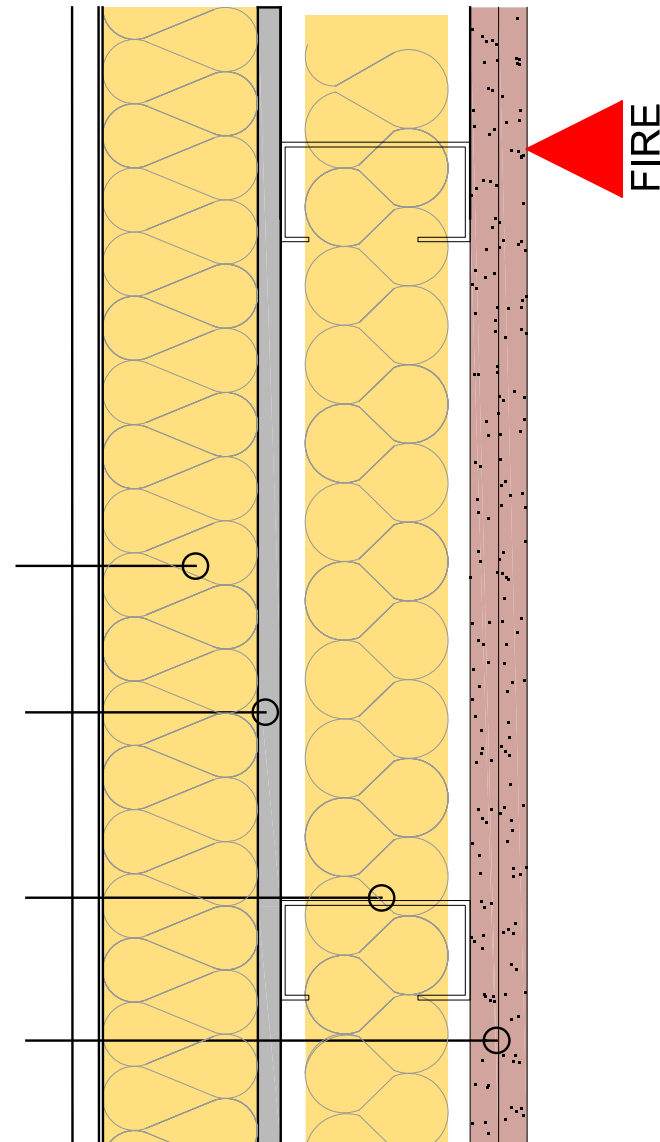
80mm Mineral Wool
(With Vertical Brick Tie Channel)

12.5mm OBEX Cortex

Frameclad 100mm SFS Wall
(75mm RWA45 Insulation)

Plasterboard 2 x 15mm Fireline

With Vertical Brick Ties



FIRE TEST – EXTERNAL WALLS

Test T33 – 60 minutes

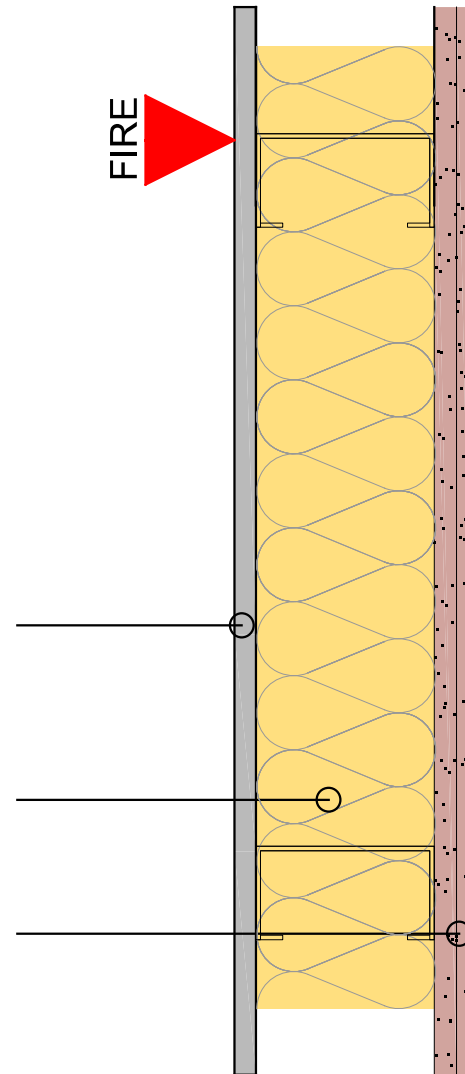
60 MINUTE EXTERNAL WALL EXTERNAL WALL BUILD UP Test Ref TR20240627-000603A

Finishes Externally by Others

12.5mm Densglass

Frameclad 100mm SFS Wall
(100mm Steel Frame Batt Insulation)

Plasterboard 2 x 12.5mm Siniat Fireboard



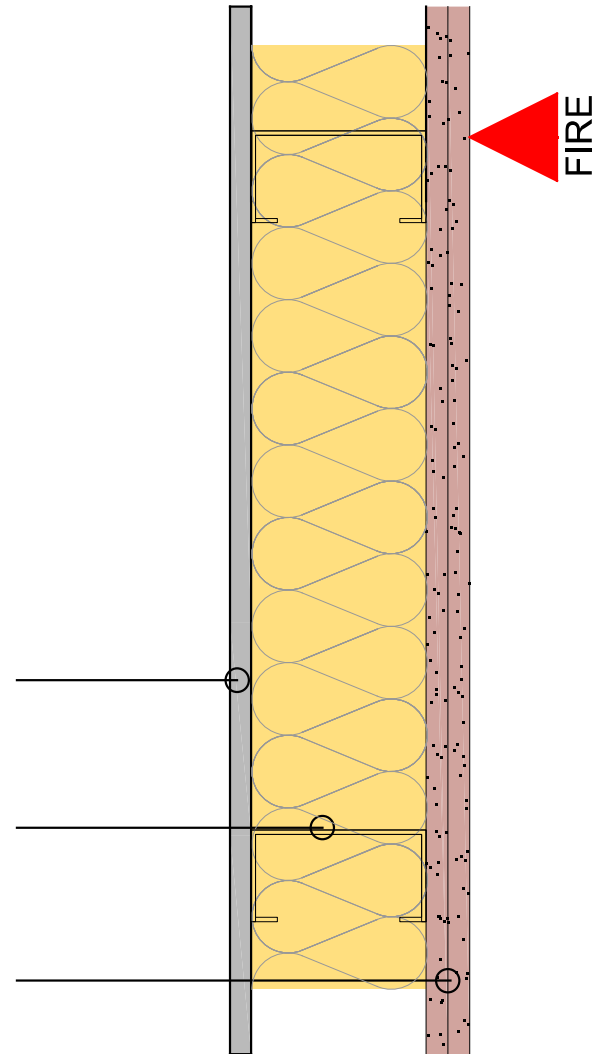
FIRE TEST – EXTERNAL WALLS

Test T34 - 60 minutes

60 MINUTE EXTERNAL WALL EXTERNAL WALL BUILD UP Test Ref UKTC 20240801-005614

Finishes Externally by Others

- 12.5mm Densglass
- Frameclad 100mm SFS Wall
(100mm Steel Frame Batt Insulation)
- Plasterboard 2 x 12.5mm Siniat Fireboard



FIRE TEST – EXTERNAL WALLS

Test TP4 – 60 minutes

84 MINUTE EXTERNAL WALL EXTERNAL WALL BUILD UP Test Ref TR20230502-005811

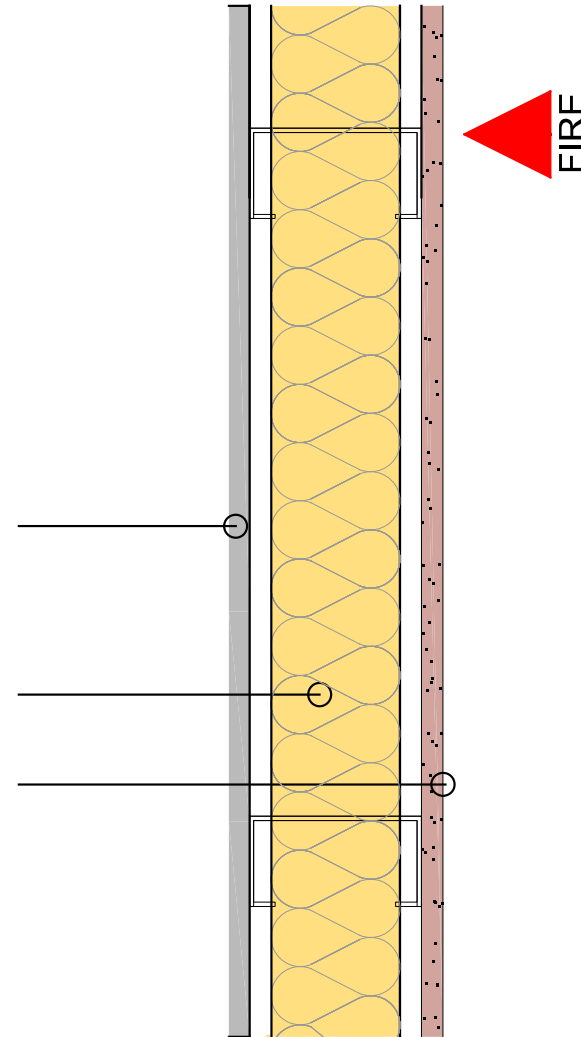
Finishes Externally by Others

12.5mm Obex Cortex

Frameclad 100mm SFS Wall
(75mm Rockwool RWA45 Insulation)

Plasterboard 1 x 12.5mm Obex Cortex

In Conjunction with OBEX



FIRE TEST – EXTERNAL WALLS

Test TP5 – 90 minutes

90 MINUTE EXTERNAL WALL EXTERNAL WALL BUILD UP Test Ref TR20230502-005811

Finishes Externally by Others

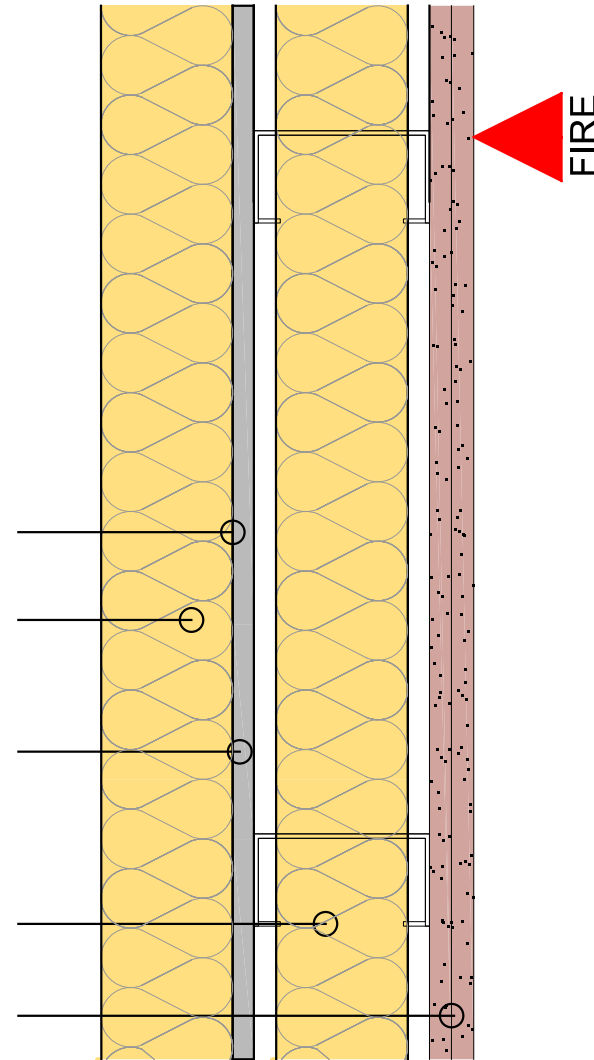
A2 Breather Membrane

75mm Rockwool Rainscreen Duo Slab

12.5mm Obex Cortex

Frameclad 100mm SFS Wall
(75mm Rockwool RWA45 Insulation)

Plasterboard 2 x 12.5mm Siniat Fireboard
In Conjunction with OBEX



FIRE TEST – EXTERNAL WALLS

Test TP6 – 90 minutes

90 MINUTE EXTERNAL WALL EXTERNAL WALL BUILD UP Test Ref TR20230830-000611

Finishes Externally by Others

A2 Breather Membrane

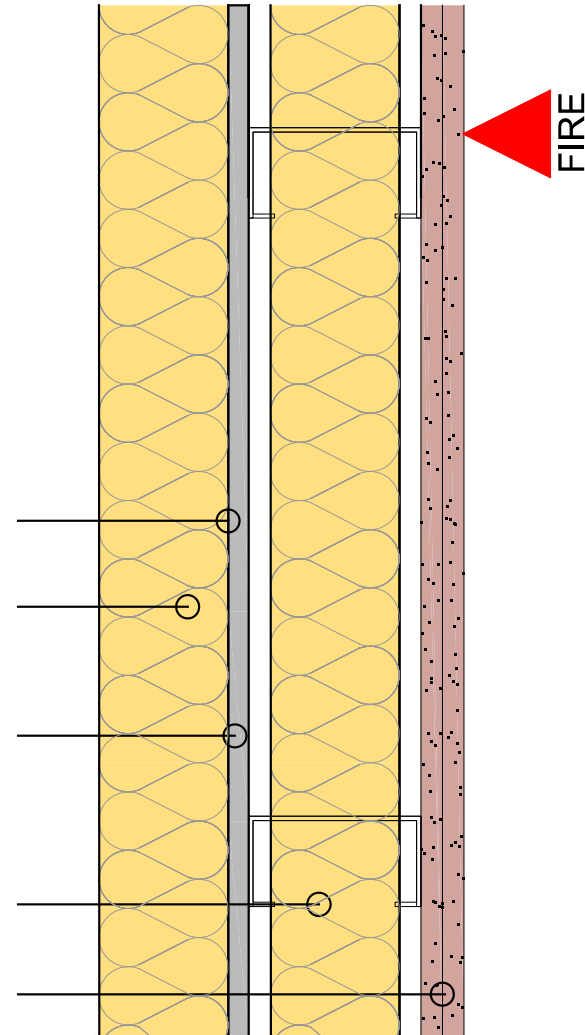
75mm Rockwool Rainscreen Duo Slab

12.5mm Obex Cortex

Frameclad 100mm SFS Wall
(75mm Rockwool RWA45 Insulation)

Plasterboard 2 x 12.5mm Fireline

In Conjunction with OBEX



FIRE TEST – EXTERNAL WALLS

Test TP7 – 60 minutes

60 MINUTE EXTERNAL WALL EXTERNAL WALL BUILD UP Test Ref TR20231020-003609

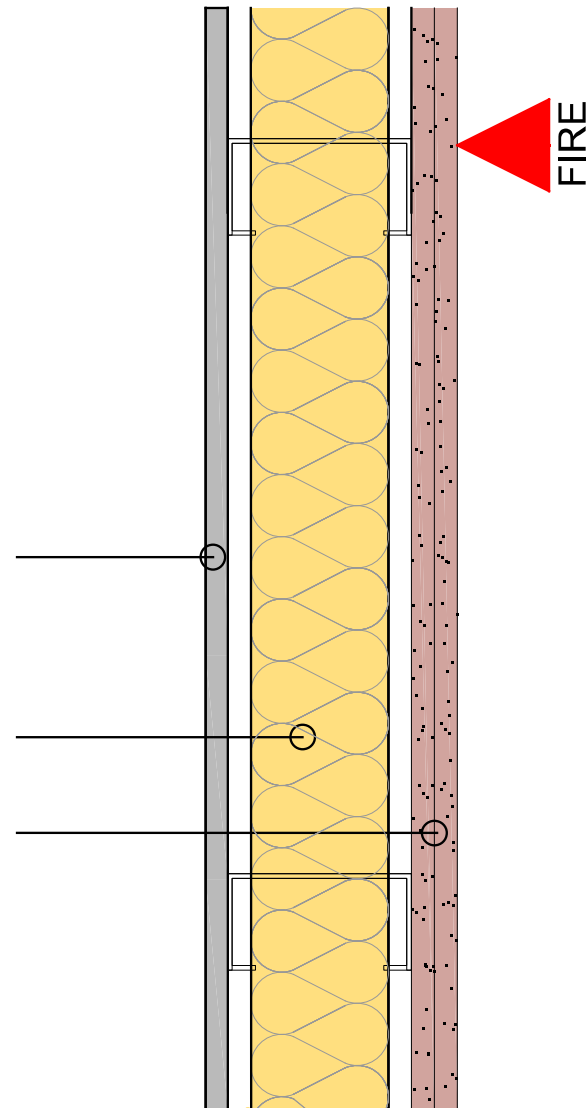
Finishes Externally by Others

12.5mm Obex Cortex

Frameclad 100mm SFS Wall
(75mm Rockwool RWA45 Insulation)

Plasterboard 2 x 12.5mm Wallboard

In Conjunction with OBEX



FIRE TEST – EXTERNAL WALLS

Test TP8 – 60 minutes

60 MINUTE EXTERNAL WALL EXTERNAL WALL BUILD UP Test Ref TR20240228-003612

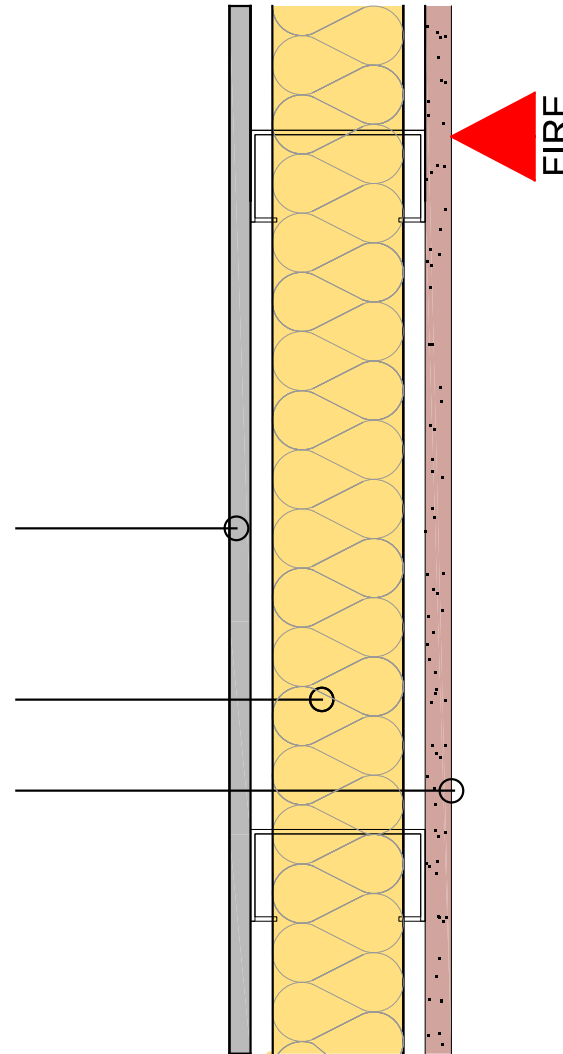
Finishes Externally by Others

12.5mm Obex Cortex

Frameclad 100mm SFS Wall
(75mm Rockwool RWA45 Insulation)

Plasterboard 1 x 15mm Fireline

In Conjunction with OBEX



FIRE TEST – EXTERNAL WALLS

Test TP9 – 60 minutes

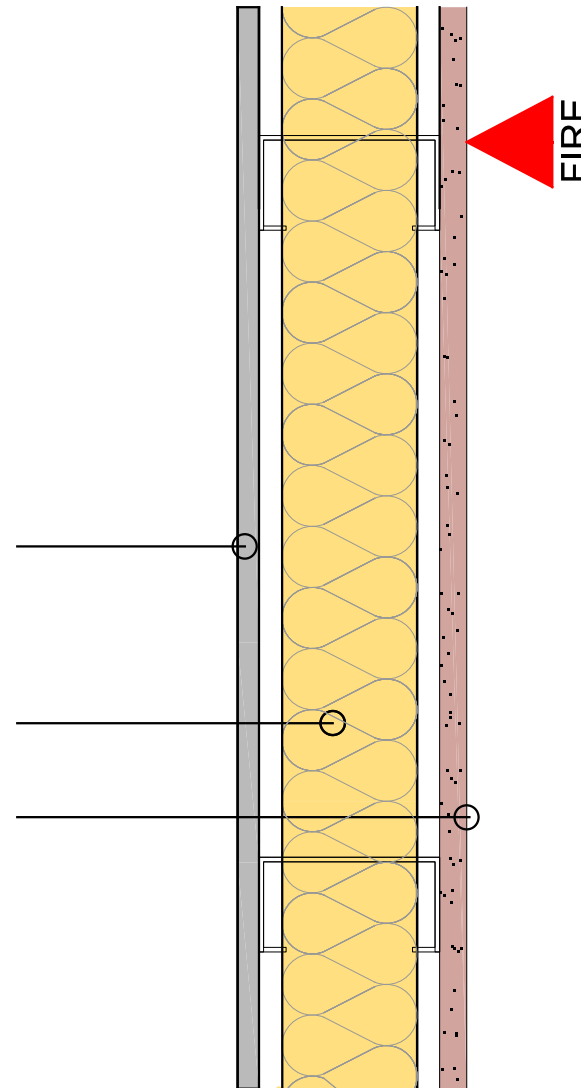
60 MINUTE EXTERNAL WALL EXTERNAL WALL BUILD UP Test Ref WF 547280/R

Finishes Externally by Others

12.5mm Obex Cortex

Frameclad 100mm SFS Wall
(70mm Rockwool Flexi Insulation)

Plasterboard 1 x 15mm Siniat GTEC Fireboard



FIRE TEST – EXTERNAL WALLS

Test TP10 – 120 minutes

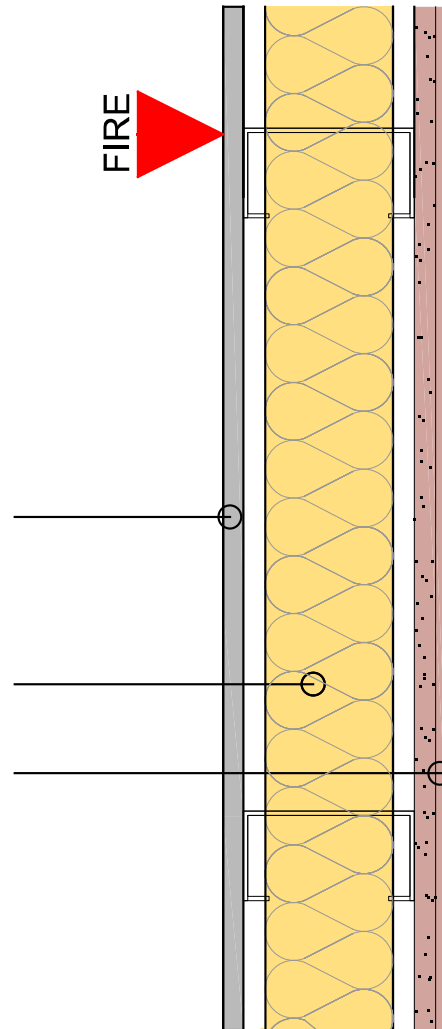
120 MINUTE EXTERNAL WALL EXTERNAL WALL BUILD UP Test Ref TR20240228-003512

Finishes Externally by Others

12.5mm Obex Cortex

Frameclad 100mm SFS Wall
(75mm Rockwool RWA45 Insulation)

Plasterboard 2 x 12.5mm Wallboard



FIRE TEST – EXTERNAL WALLS

Test TP11 – 60 minutes

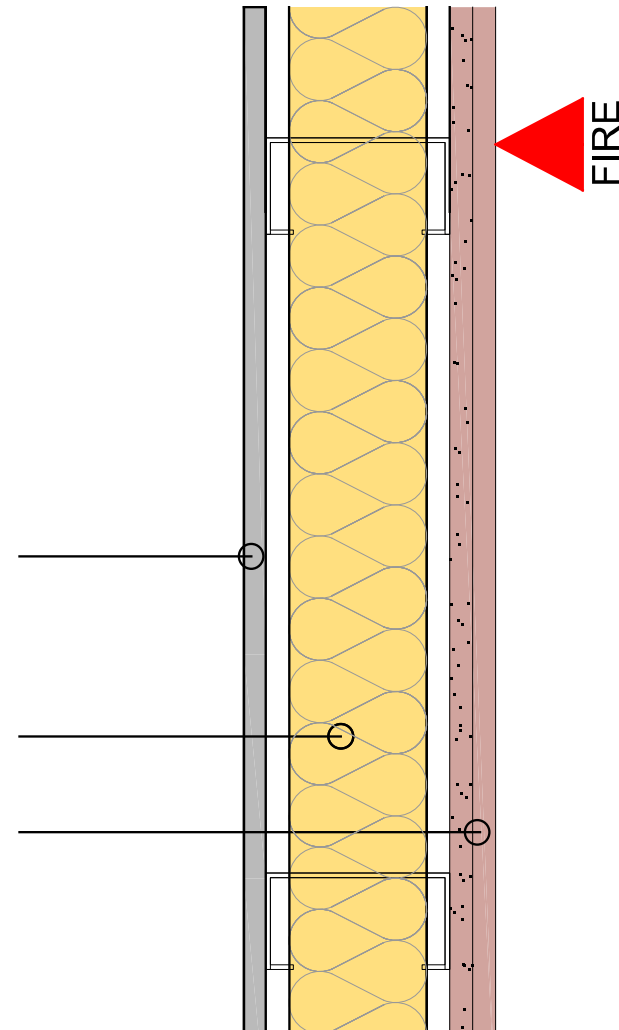
60 MINUTE EXTERNAL WALL EXTERNAL WALL BUILD UP Test Ref TR20240228-003512

Finishes Externally by Others

12.5mm Obex Cortex

Frameclad 100mm SFS Wall
(75mm Rockwool RWA45 Insulation)

Plasterboard 2 x 12.5mm Wallboard



FIRE TEST – EXTERNAL WALLS

Test TP12 - 120 minutes

120 MINUTE EXTERNAL WALL EXTERNAL WALL BUILD UP Test Ref EUI-24-B-000855

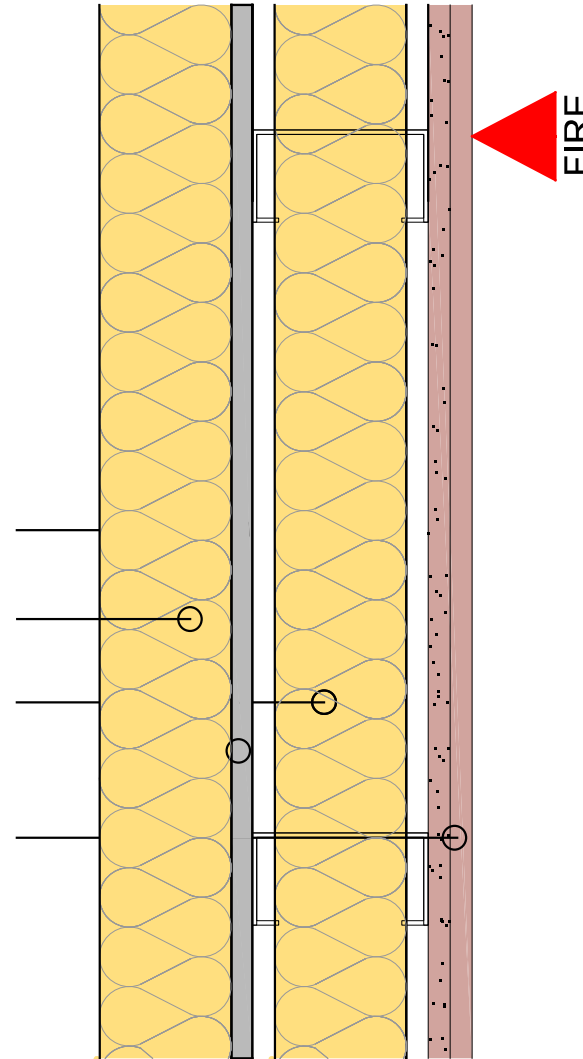
Finishes Externally by Others

12mm Licata Fibre Cement Board

100mm Rockwool Duo Slab

Frameclad 100mm SFS Wall
(100mm Rockwool Frame Slab -33Kg/m)

Plasterboard 2 x 12.5mm Wallboard



FIRE TEST – EXTERNAL WALLS

Test TP13 – 60 minutes

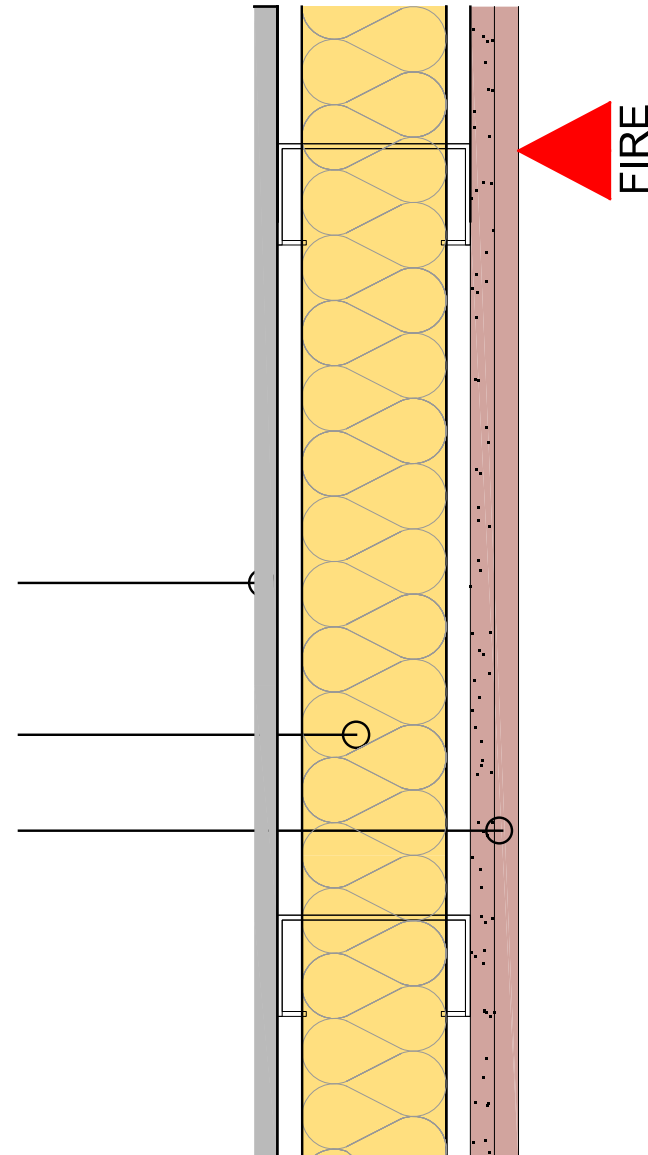
60 MINUTE EXTERNAL WALL EXTERNAL WALL BUILD UP Test Ref TR20241010-004208

Finishes Externally by Others

12.5mm Klasse G-Board

Frameclad 100mm SFS Wall
(100mm Rockwool RWA45)

Plasterboard 2 x 15mm Wallboard



FIRE TEST – INTERNAL WALLS

Test T7 - 120 minutes

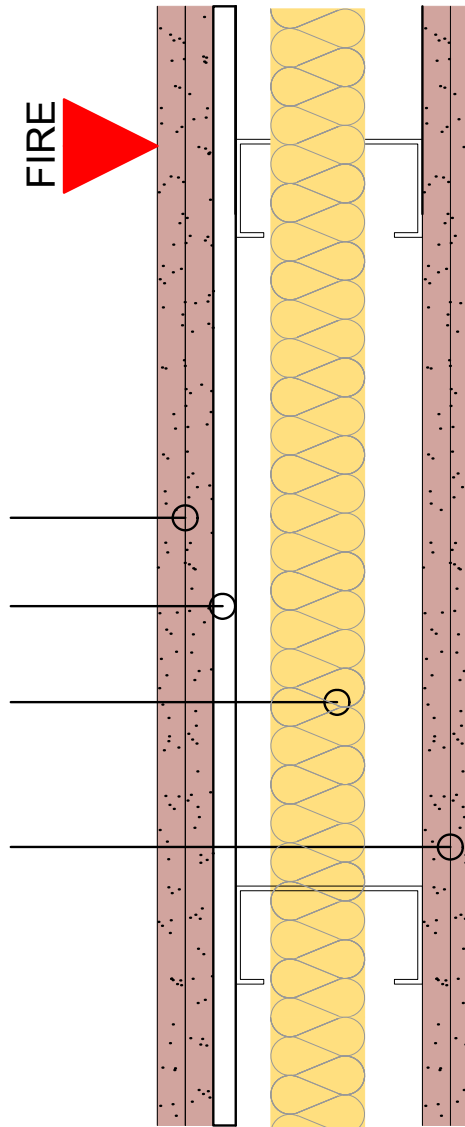
120 MINUTE INTERNAL WALL INTERNAL WALL BUILD UP Test Ref BTC20966F

Plasterboard 2 x 15mm Fireline

16mm RB1 Resilient Bar

Frameclad 100mm SFS Wall
(50mm Isover APR 1200 to Cavity)

Plasterboard 2 x 15mm Fireline



FIRE TEST – INTERNAL WALLS

Test T8 – 90 minutes

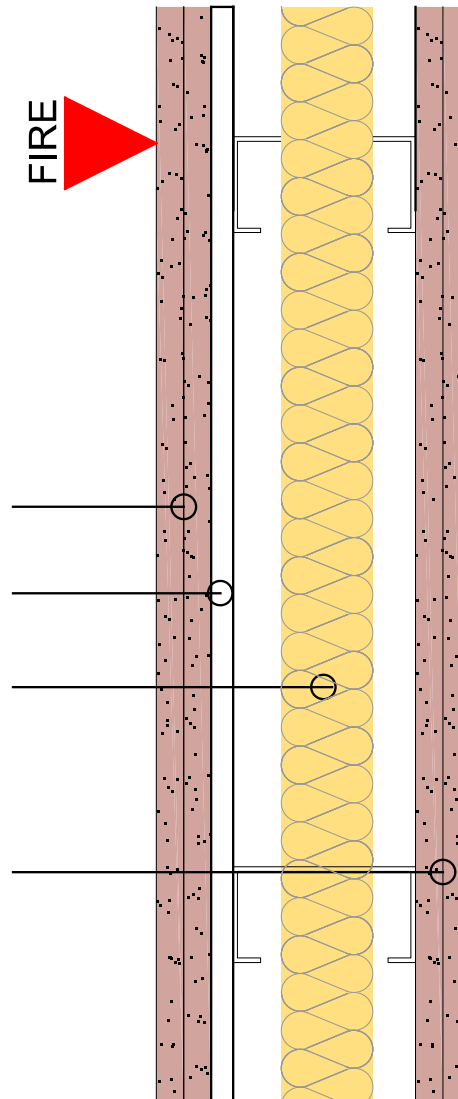
90 MINUTE INTERNAL WALL INTERNAL WALL BUILD UP Test Ref BTC20854F

Plasterboard 2 x 15mm Soundbloc

16mm RB1 Resilient Bar

Frameclad 100mm SFS Wall
(50mm Isover APR 1200 to Cavity)

Plasterboard 2 x 15mm Soundbloc



FIRE TEST – INTERNAL WALLS

Test T32 – 90 minutes

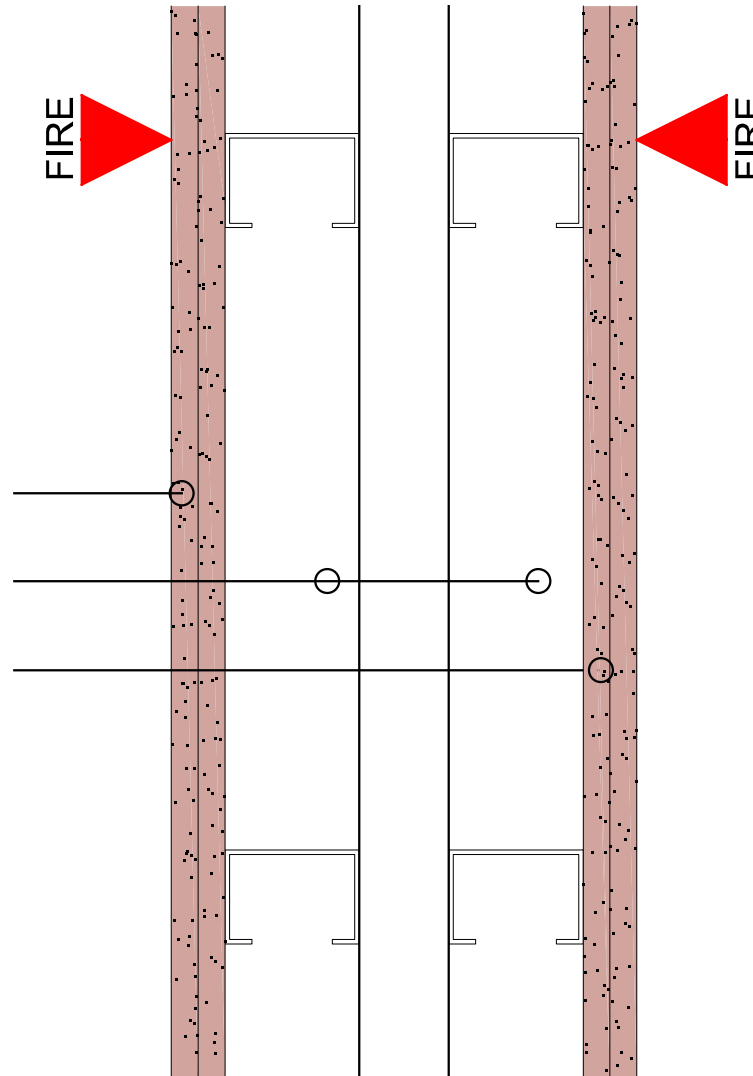
90 MINUTE INTERNAL WALL INTERNAL WALL BUILD UP Test Ref WF506587/R

Plasterboard 2 x 15mm Fireline

Frameclad 75mm x 2 SFS Wall

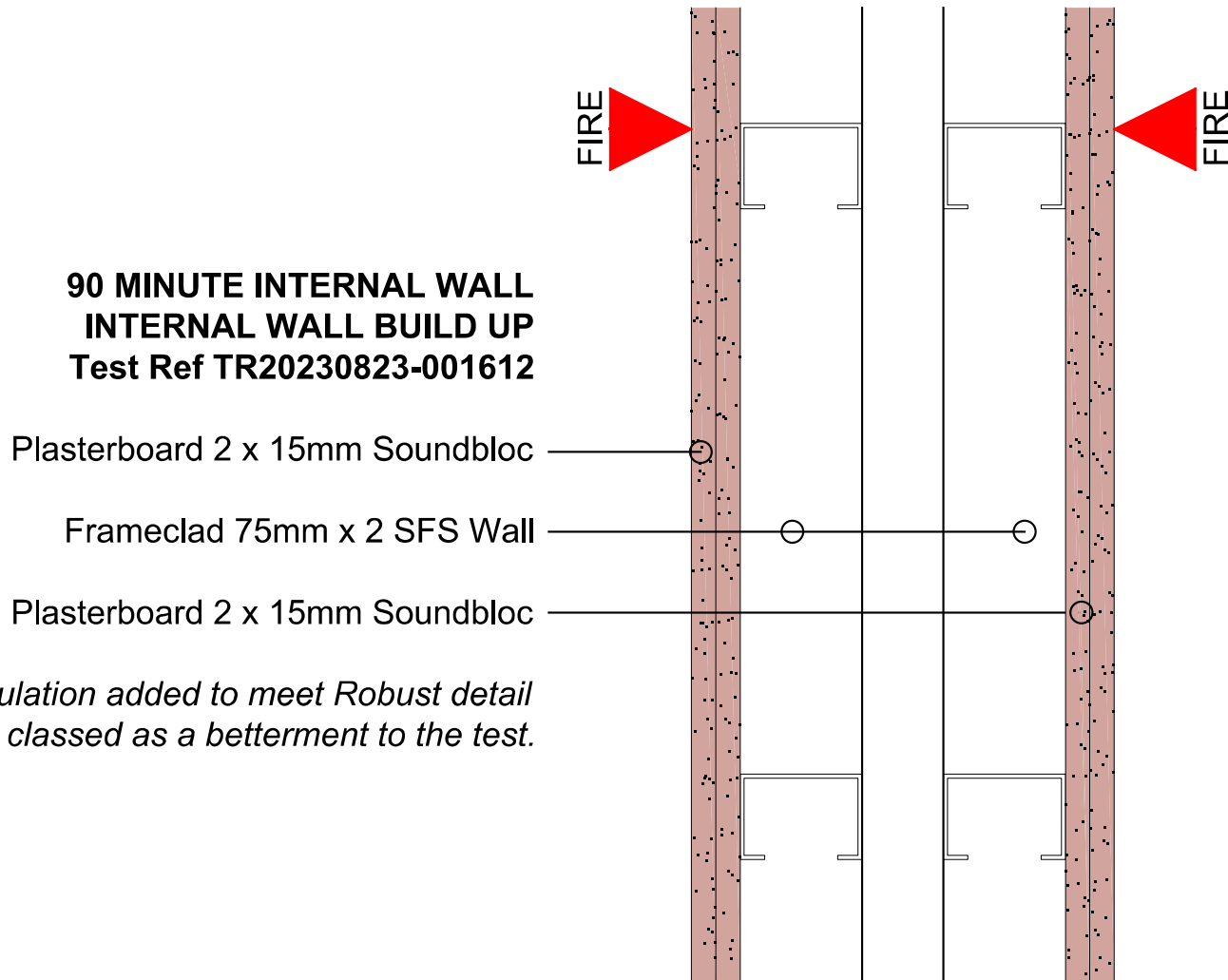
Plasterboard 2 x 15mm Fireline

*Note - Insulation added to meet Robust detail
would be classed as a betterment to the test.*



FIRE TEST – INTERNAL WALLS

Test T22 – 90 minutes



*Note - Insulation added to meet Robust detail
would be classed as a betterment to the test.*

FIRE TEST – INTERNAL WALLS

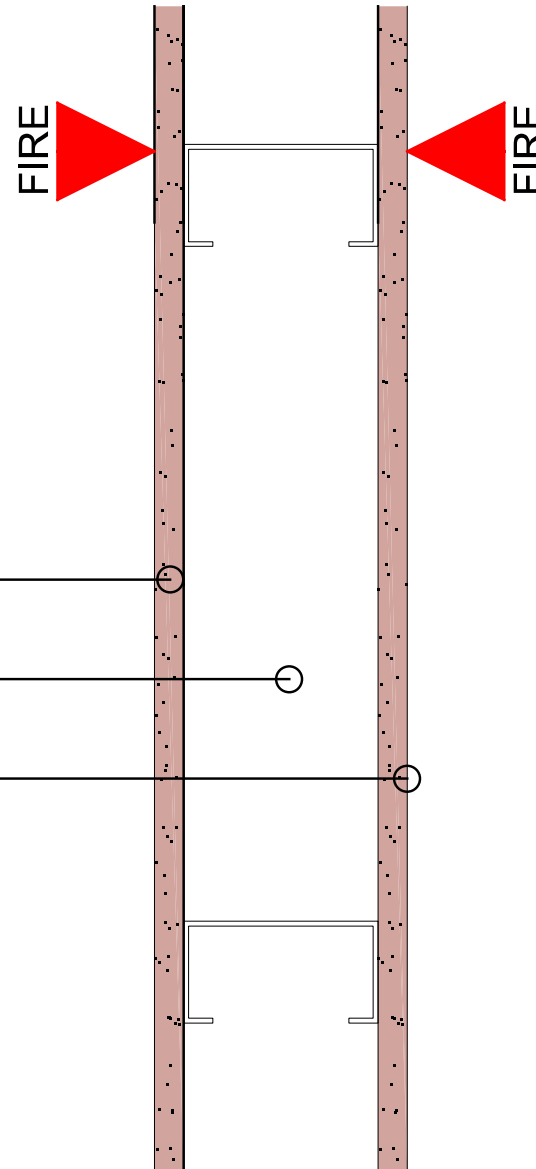
Test T9 – 60 minutes

60 MINUTE INTERNAL WALL INTERNAL WALL BUILD UP Test Ref BTC21534F

Plasterboard 1 x 15mm Fireline

Frameclad 100mm SFS Wall

Plasterboard 1 x 15mm Fireline



FIRE TEST – INTERNAL WALLS

Test T11 – 60 minutes

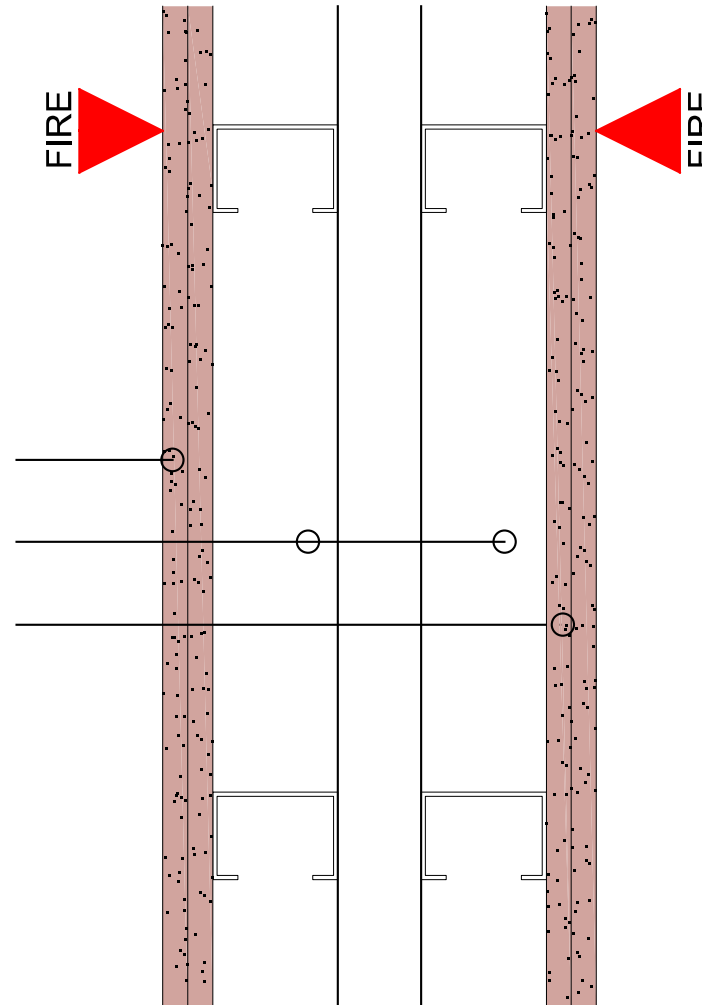
60 MINUTE INTERNAL WALL INTERNAL WALL BUILD UP Test Ref WF506587/R

Plasterboard 2 x 15mm Fireline

Frameclad 75mm x 2 SFS Wall

Plasterboard 2 x 15mm Fireline

*Note - Insulation added to meet Robust detail
would be classed as a betterment to the test.*



FIRE TEST – PARTNERED WALL

Test TP1 - 60 minutes

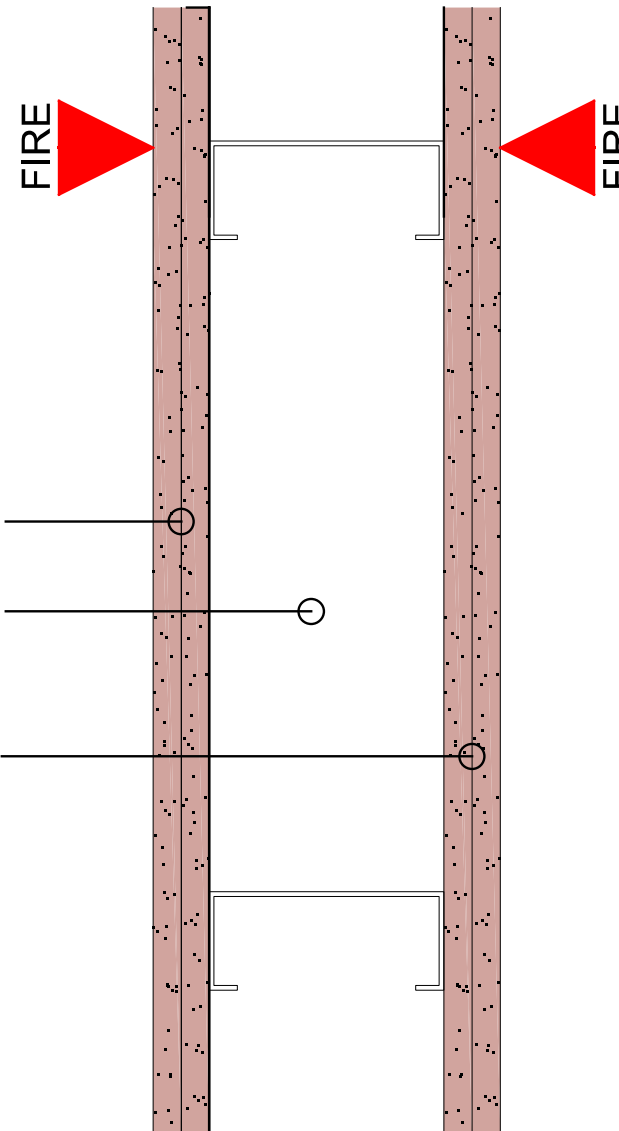
60 MINUTE INTERNAL WALL INTERNAL WALL BUILD UP 2-Sided Test Ref E-R001354

Plasterboard 2 x 15mm Fireline

100mm SFS Wall

Plasterboard 2 x 15mm Fireline

In Conjunction with the SCI



FIRE TEST – PARTNERED WALL

Test TP2 – 60 minutes

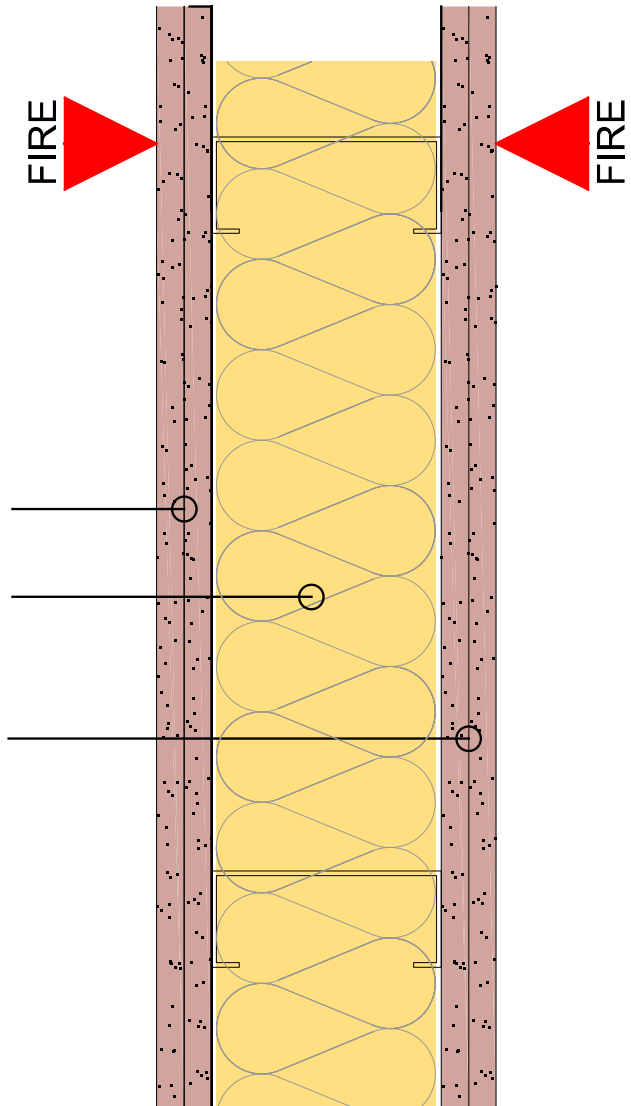
60 MINUTE INTERNAL WALL INTERNAL WALL BUILD UP 2-Sided Test Ref E-R001353

Plasterboard 2 x 15mm Fireline

SFS Wall
(100mm Rockwool Flexi to Cavity)

Plasterboard 2 x 15mm Fireline

In Conjunction with the SCI



FIRE TEST – PARTNERED WALL

Test TP3 – 90 minutes

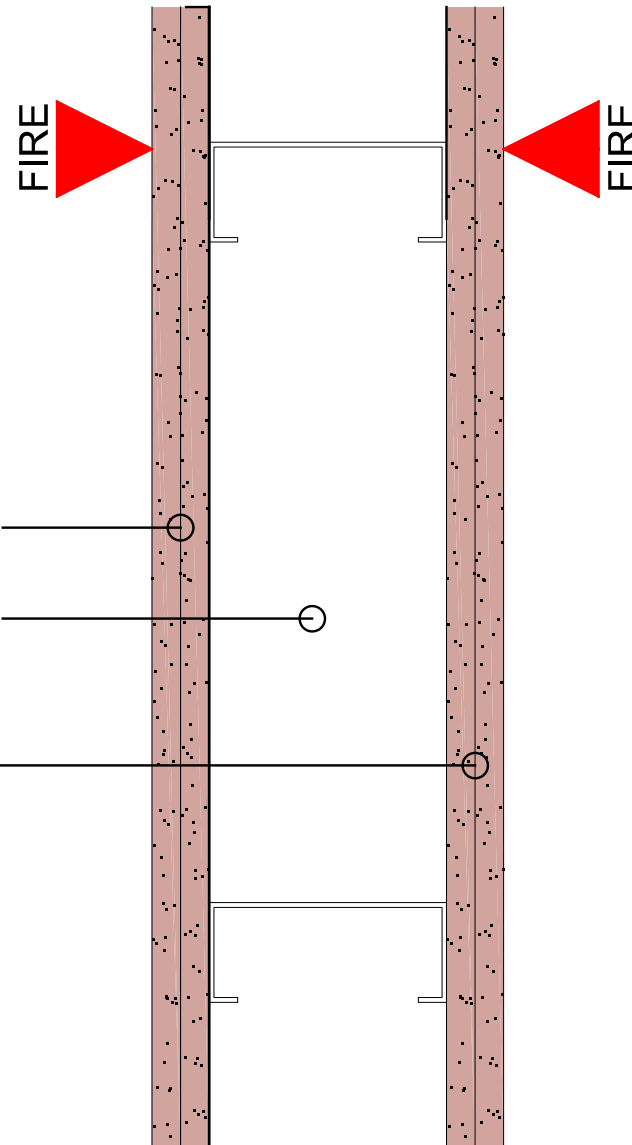
90 MINUTE INTERNAL WALL INTERNAL WALL BUILD UP Test Ref E-R001125(Rev1)

Plasterboard 2 x 15mm Fireline

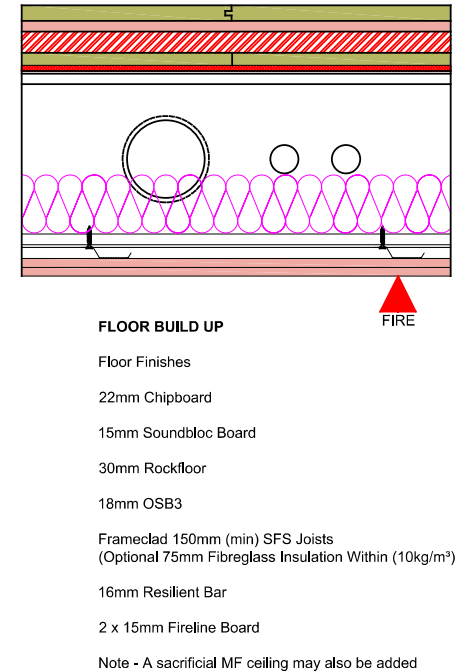
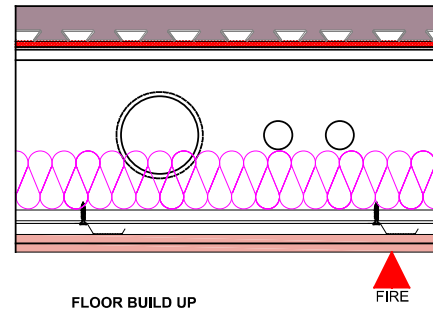
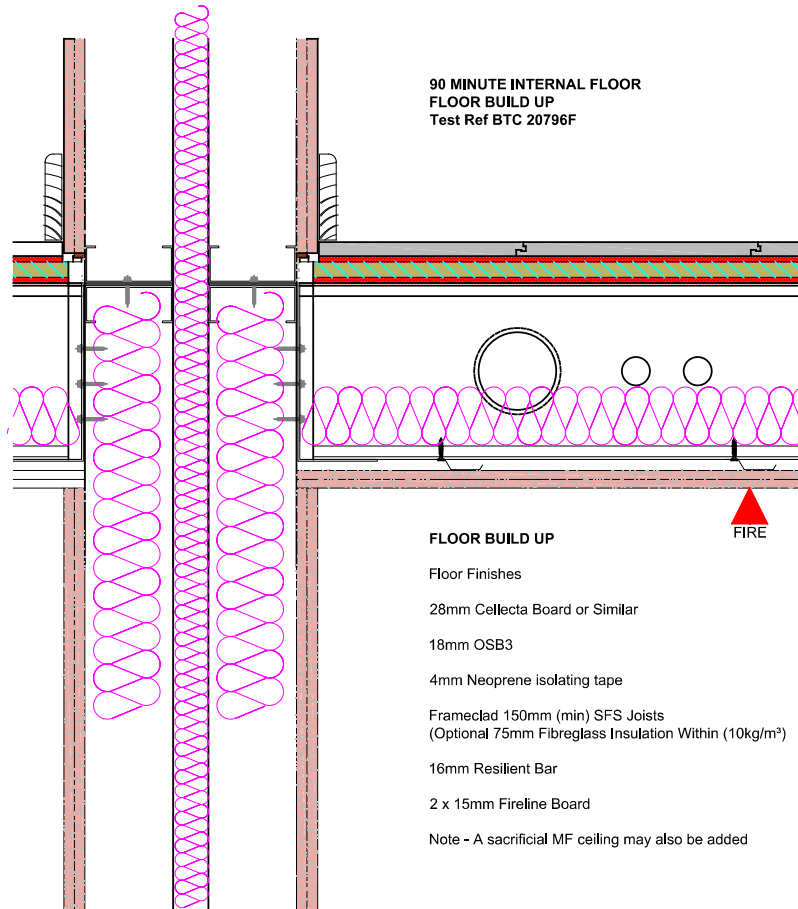
100mm SFS Wall

Plasterboard 2 x 15mm Fireline

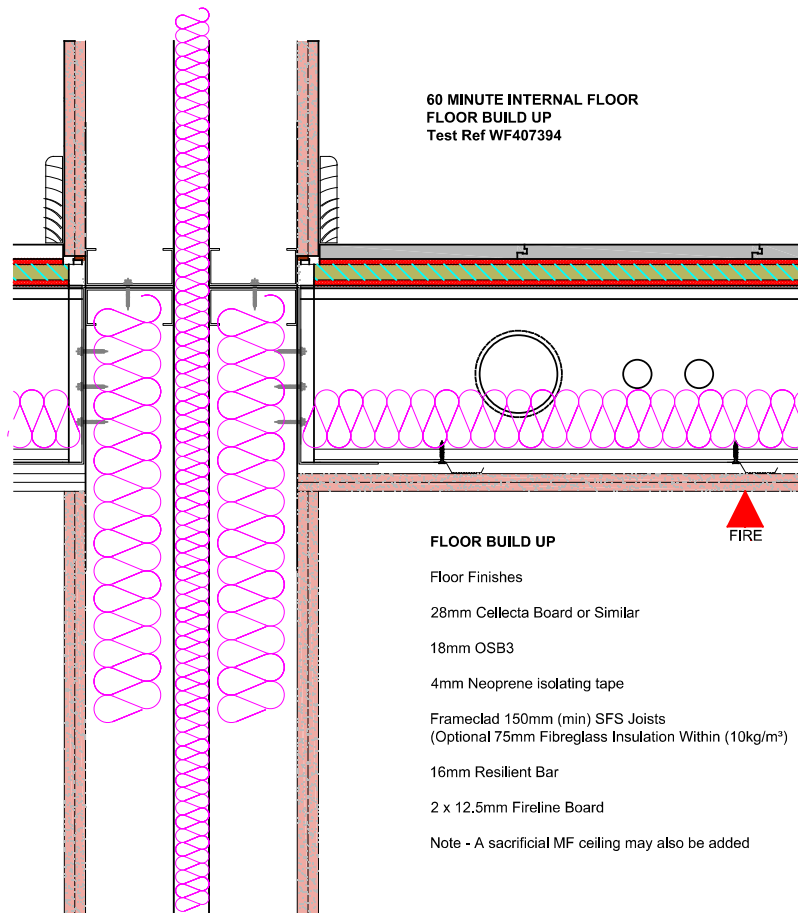
In Conjunction with the SCI



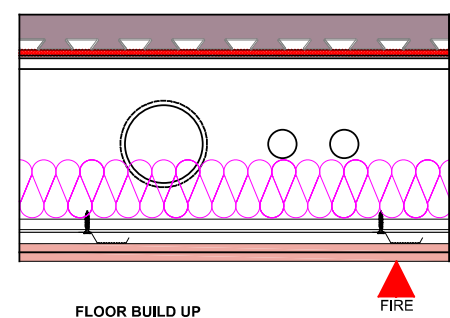
Test T12 – 90 minutes



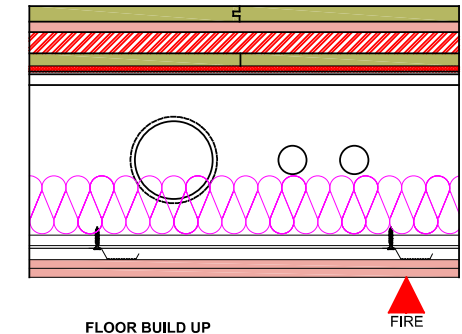
Test T13 – 60 minutes



- FLOOR BUILD UP**
- Floor Finishes
 - 28mm Collecta Board or Similar
 - 18mm OSB3
 - 4mm Neoprene isolating tape
 - Frameclad 150mm (min) SFS Joists
(Optional 75mm Fibreglass Insulation Within (10kg/m³))
 - 16mm Resilient Bar
 - 2 x 12.5mm Fireline Board
 - Note - A sacrificial MF ceiling may also be added



- FLOOR BUILD UP**
- Floor Finishes
 - 65mm Screed (16mm Lewis Decking within)
 - 4mm Neoprene isolating tape
 - Frameclad 150mm (min) SFS Joists
(Optional 75mm Fibreglass Insulation Within (10kg/m³))
 - 16mm Resilient Bar
 - 2 x 12.5mm Fireline Board
 - Note - A sacrificial MF ceiling may also be added



- FLOOR BUILD UP**
- Floor Finishes
 - 22mm Chipboard
 - 15mm Soundbloc Board
 - 30mm Rockfloor
 - 18mm OSB3
 - Frameclad 150mm (min) SFS Joists
(Optional 75mm Fibreglass Insulation Within (10kg/m³))
 - 16mm Resilient Bar
 - 2 x 12.5mm Fireline Board
 - Note - A sacrificial MF ceiling may also be added

Test T14 – 30 minutes

30 MINUTE INTERNAL FLOOR FLOOR BUILD UP Test Ref BTC20750F

FLOOR BUILD UP

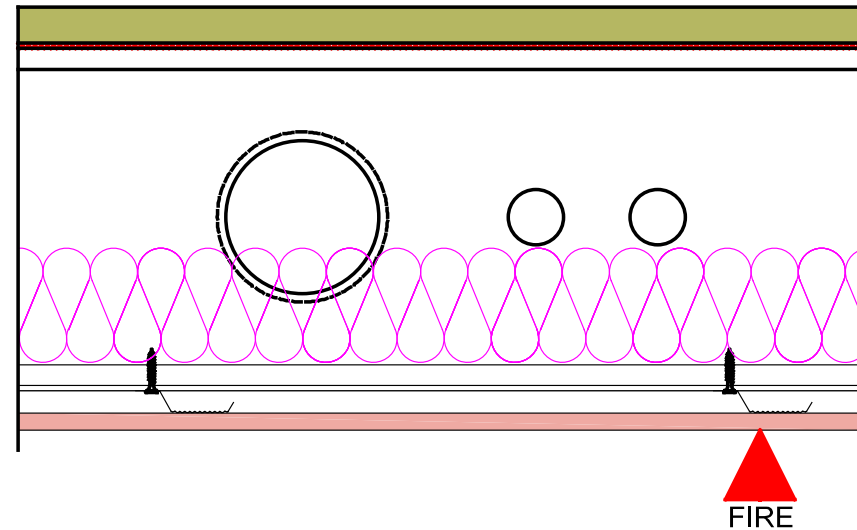
Floor Finishes

22mm Chipboard

Frameclad 150mm (min) SFS Joists
(100mm Rocwool Flexi Insulation Within)

16mm Resilient Bar

1 x 15mm Fireline Board



Test T26 – 90 minutes

90 MINUTE INTERNAL FLOOR FLOOR BUILD UP Test Ref ENL-19-000445 Magply Test

FLOOR BUILD UP

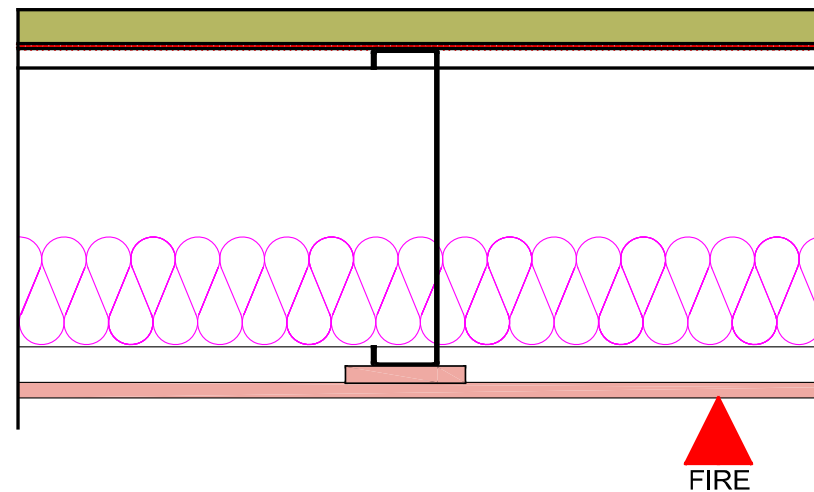
Floor Finishes

22mm Magply MgO So4 Board

250mm SFS Joists
(75mm Rocwool RW5 Insulation Within)

90mm Wide 12mm Magply MgO So4 Strips along All SFS members

1 x 12mm Magply MgO So4 Board





Building 40 | Third Avenue | The Pensnett Trading Estate | Kingswinford | West Midlands | DY6 7UP

T: 01384 401 114

E: enquiries@frameclad.com



www.frameclad.com